

TrailMaster Go-Kart

Parts Manual



READ THIS MANUAL CAREFULLY,
IT CONTAINS IMPORTANT SAFETY INFORMATION.

150XRX



FOR OFF-ROAD USE ONLY

This vehicle is designed and manufactured for off-road use only.

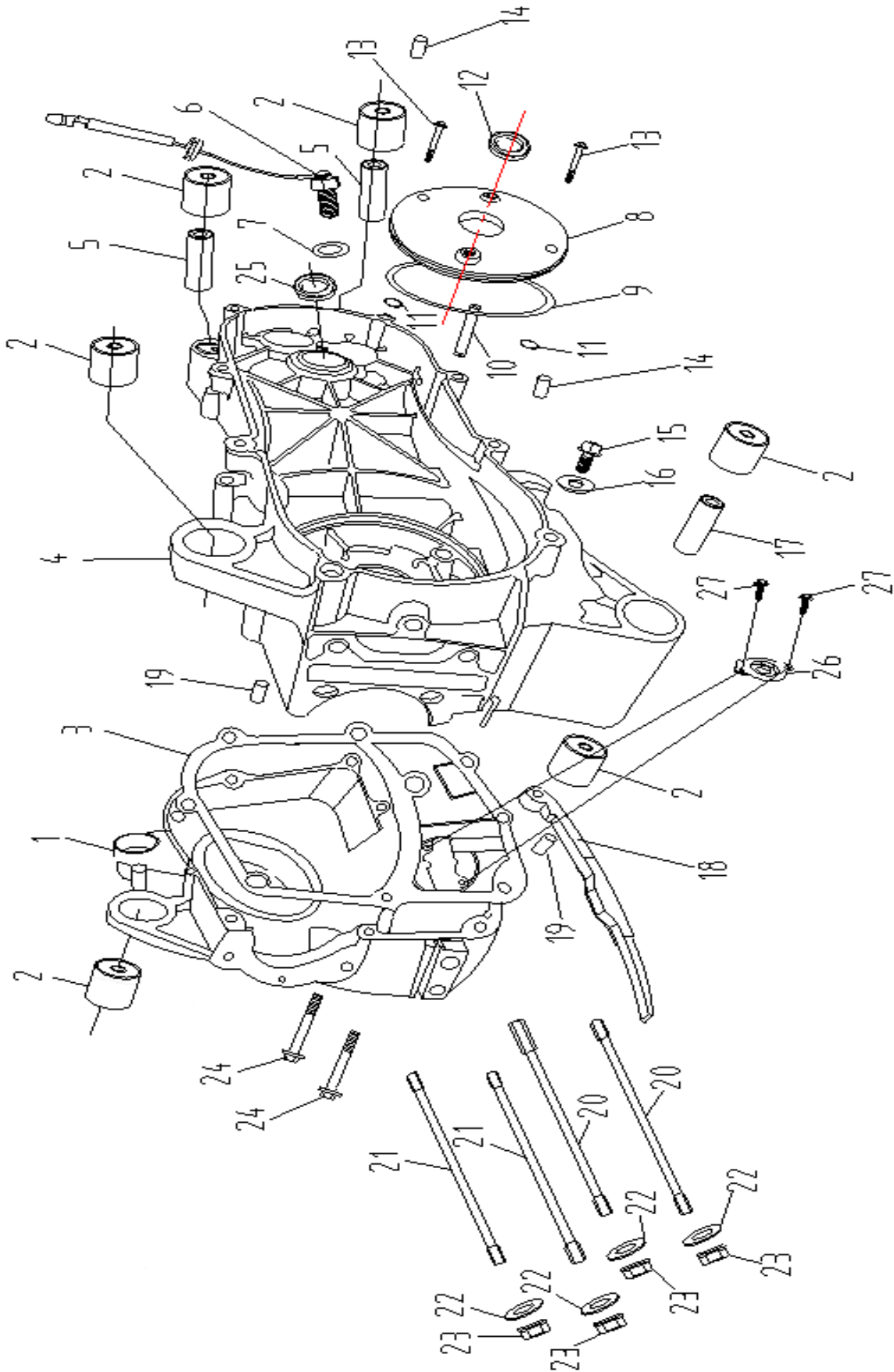
USA only:

It does not conform to Federal Motor Vehicle Safety Standards, and in regards to operation on public streets, roads, or highways is illegal.

CONTENTS

PARTS MANUAL	Fig
1. CRANKCASE ASSY.-----	Fig. 1
2. DRIVING GEAR COMP-----	Fig. 2
3. SIDE COVER COMP -----	Fig. 3
4. RIGHT COVER COMP -----	Fig. 4
5. FAN / WIND GUIDE COVER-----	Fig. 5
6. ELECTRIC START SYSTEM -----	Fig. 6
7. CYLINDER ASSY.-----	Fig. 7
8. CYLINDER HEAD ASSY.-----	Fig. 8
9. OIL PUMP ASSY.-----	Fig. 9
10. DRIVING WHEEL COMP-----	Fig. 10
11. MAGEMOTOR -----	Fig. 11
12. DRIVEN WHEEL COMP-----	Fig. 12
13. CRANK SHAFT / PISTON COMP -----	Fig. 13
14. TIMING SYSTEM -----	Fig. 14
15. FRAME GROUP -----	Fig. 15
16. STEERING SHAFT ASSY.-----	Fig. 16
17. SUSPENSION ARM ASSY.-----	Fig. 17
18. REAR CARGO RACK/SEAT/BELT-----	Fig. 18
19. REAR SWING ARM ASSY. UPPER -----	Fig. 19
20. ENGINE/MUFFLER/AIR CLEANER -----	Fig. 20
21. REAR SWING ARM -----	Fig. 21
22. REAR HOUSING -----	Fig. 22
23. WIRE HARNESS/ELECTRICAL -----	Fig. 23
24. REVERSE ASSY.-----	Fig. 24
25. WARNING STICKERS -----	Fig. 25

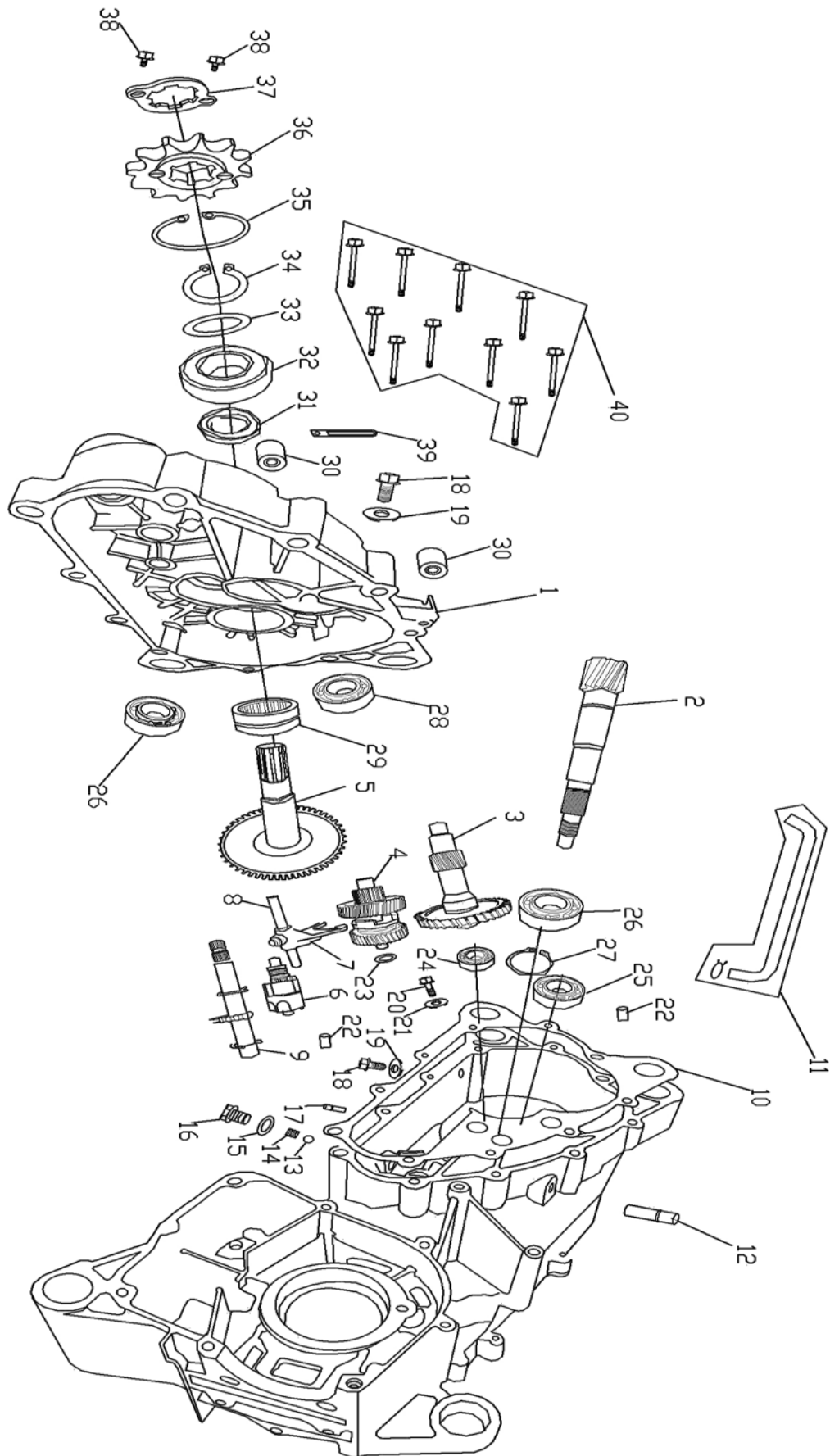
FIG1. ENGINE CASE . COMP



ENGINE CASE COMP.

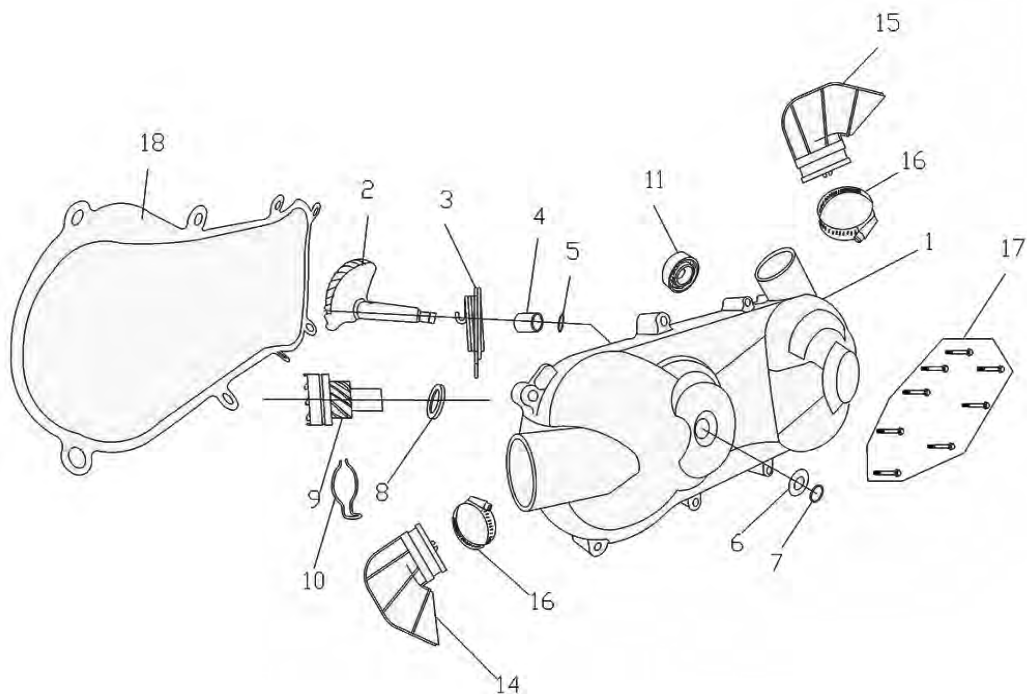
REF NO.	PART NO.	DESCRIPTION	QTY
1-1	157.03.002	RIGHT CASE BODY	1
1-2	157F.12.114	DAMPING BUSHING	4
1-3	152.12.301	CRANKCASE GASKET	1
1-4	157F.03.001	LEFT CRANKCASE BODY	1
1-5	157F.11.522	COLLAR	2
1-6	157F.10.470	NEUTRAL POSITION LAMP ASSY.	1
1-7	157F.11.405	WASHER 10.2X18X1.3	1
1-8	157F.03.006	SMALL LEFT COVER	1
1-9	157F.12.107	O-RING 108X2	1
1-10	157F.02.603	PIN	1
1-11	157F.12.115	O-RING 6X1.8	2
1-12	152.12.101	OIL SEAL 19.8X30X5	1
1-13	GB/T16674 M6X18	BOLT M6X18	12
1-14	157F.11.517	DOWEL PIN 10X14	2
1-15	152.11.205	DRAIN PLUG M12X1.5	1
1-16	GB97.1 12	WASHER 12	1
1-17	157F.11.521	COLLAR	1
1-18	152.02.601	CHAIN PULL ROD	1
1-19	152.11.515	DOWEL PIN 8X14	2
1-20	152.11.204	DOUBLE-END BOLT M8X195.5	2
1-21	152.11.203	DOUBLE-END BOLT M8X187.5	2
1-22	GB97.2 8	WASHER 8	4
1-23	GB6177 M8	NUT M8	4
1-24	GB/T16674 M6X50	BOLT M6X50	2
1-25	152.12.102	OIL SEAL 20X32X6	1
1-26	152.09.001	ENGINE OIL CLAPBOARD	1
1-27	GB/T16674 M6X12	BOLT M6X12	2

FIG. 2 DRIVING GEAR COMP.



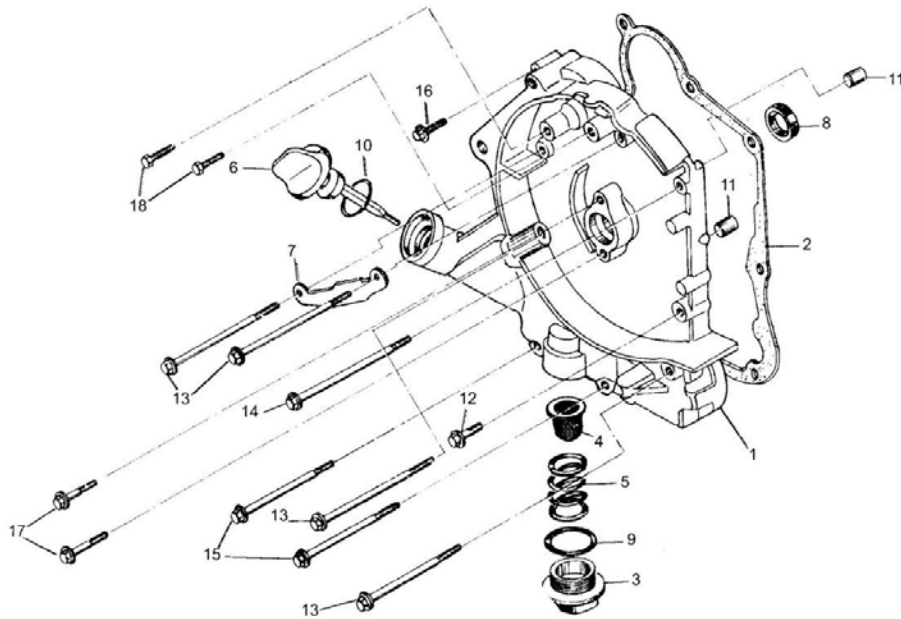
DRIVING GEAR COMP.			
REF NO.	PART NO.	DESCRIPTION	QTY
2-1	157F.03.005	GEAR BOX COVER	1
2-2	157F.10.401	DRIVE SHAFT	1
2-3	157F.10.411	REVERSE SHAFT ASSY.	1
2-4	157F.10.420-SSA	SHIFTING SHAFT ASSY.	1
2-5	157F.10.402	OUTPUT SHAFT	1
2-6	157F.10.420-SDA	SHIFTING DRUM ASSY.	1
2-7	157F.10.403	SHIFTING FORK	1
2-8	157F.10.404	DECLUTCH SHIFT SHAFT	1
2-9	157F.10.440	CLUTCH SHIFT SHAFT ASSY.	1
2-10	157F.12.305	GEAR BOX COVER GASKET	1
2-11	157F.12.113	GEAR BOX AIR PIPE	1
2-12	157F.11.523	GEAR BOX AIR NOZZLE	1
2-13	GB/T308 Φ 9.5	STEEL BALL Φ 9.5	1
2-14	157F.10.410	SHIFTING DRUM POSITIONING SPRING	1
2-15	157F.11.407	WASHER 14.2X22X1.3	1
2-16	157F.10.409	SHIFTING DRUM POSITIONING BOLT	1
2-17	157F.11.524	CASE DRAIN NOZZLE	1
2-18	152.11.205	DRAIN PLUG M12X1.5	2
2-19	GB97.1 12	WASHER 12	2
2-20	GB/T16674 M6X12	BOLT M6X12	1
2-21	157F.11.408	WASHER 6	1
2-22	157F.11.517	DOWEL PIN 10X14	2
2-23	157F.10.427	ADJUST WASHER 15	1
2-24	GB/T276 6202	BEARING 6202	1
2-25	GB/T276 6203	BEARING 6203	1
2-26	GB/T276 6204	BEARING 6204	2
2-27	GB/T894.1 Φ 20	SNAP RING Φ 20	1
2-28	GB/T276 6302	BEARING 6302	1
2-29	GB/T5801 RNA4905	NEEDLE ROLLER BEARING RNA4905	1
2-30	157F.12.114	DAMPING BUSHING	2
2-31	157F.12.103	OIL SEAL 30X40X6	1
2-32	GB/T276 6205-2RZ	BEARING 6205-2RZ	1
2-33	157F.10.437	ADJUST WASHER 25	1
2-34	GB/T894.1 Φ 25	SNAP RING Φ 25	1
2-35	GB/T893.1 Φ 52	SNAP RING Φ 52	1
2-36	157F.10.480	DRIVE SPROCKET	1
2-37	157F.10.481	SPROCKET LOCKING PLATE	1
2-38	GB/T16674 M6X12	BOLT M6X12	2
2-39	157F.11.503	CABLE CLAMP	1
2-40	GB5789 M6X40	BOLT M6X40	10

FIG . 3 SIDE COVER COMP.



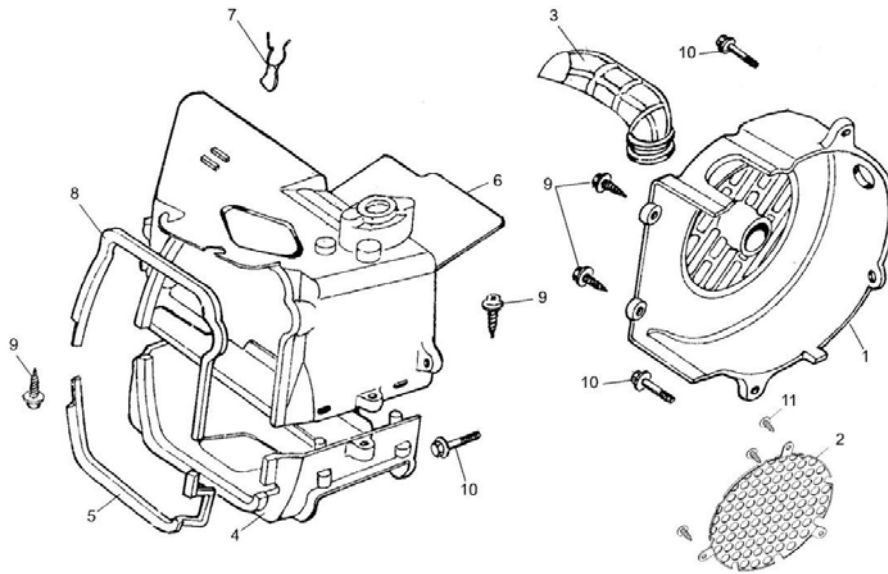
SIDE COVER COMP.			
REF NO.	PART NO.	DESCRIPTION	QTY
3-1	157F.03.003	LEFT CRANKCASE COVER	1
3-2	157F.06.300	STARTING SHAFT ASSY.	1
3-3	139.06.101	STARTING RETURN SPRING	1
3-4	157F.06.002	STARTING SHAFT BUSHING	1
3-5	157F.12.117	O-RING 13.8X2.3	1
3-6	139.11.403	WASHER	1
3-7	GB/T894.1 Φ14	SNAP RING Φ14	1
3-8	139.11.404	WASHER Φ10	1
3-9	157F.06.400	STARTING DRIVEN GEAR ASSY.	1
3-10	139.06.103	FRICTION SPRING	1
3-11	GB/T276 6200-2RZ	BEARING 6200-2RZ	1
3-14	157F.12.121	ASPIRATION CHANNEL A	1
3-15	157F.12.122	ASPIRATION CHANNEL B	1
3-16	157F.11.601	ASPIRATION CHANNEL CLIP	2
3-17	GB/T16674 M6X40	BOLT M6X40	8
3-18	157F.12.302	LEFT CRANKCASE COVER GASKET	1

FIG . 4 RIGHT COVER . COMP



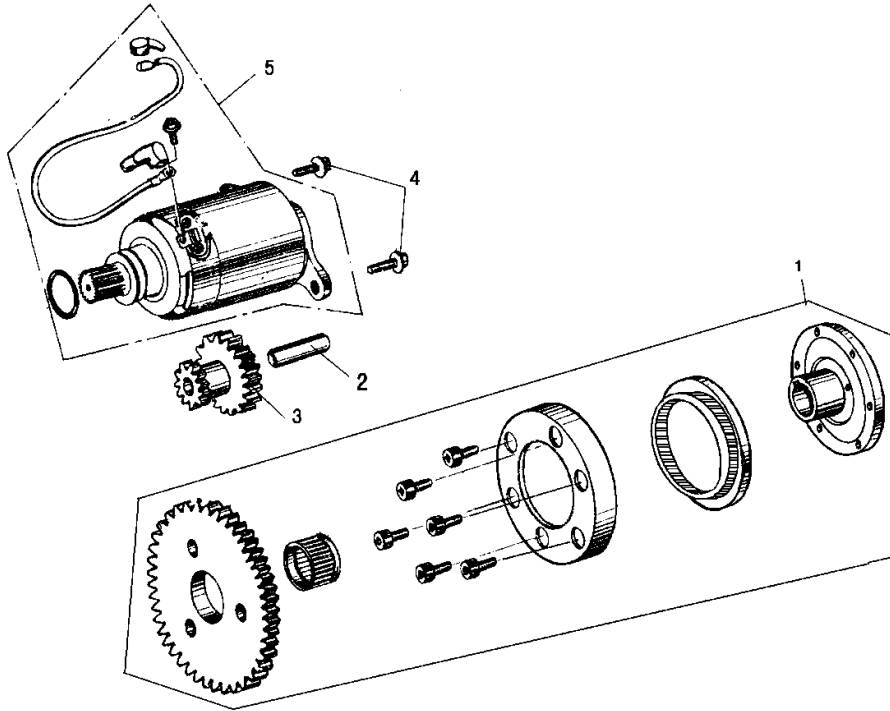
RIGHT COVER COMP.			
REF NO.	PART NO.	DESCRIPTION	QTY
4-1	157F.03.004	RIGHT CASE COVER	1
4-2	152.12.303	RIGHT CASE COVER GASKET	1
4-3	152.09.002	OIL SCREEN SCREW PLUG	1
4-4	152.09.003-OS	OIL SCREEN	1
4-5	152.09.004	OIL SCREEN SPRING	1
4-6	152.12.201	OIL GAGE	1
4-7	152.11.508	MAGNETO WIRE CLIP	1
4-8	152.12.101	OIL SEAL 19.8X30X5	1
4-9	152.12.110	O-RING 30.8	1
4-10	152.12.108	O-RING 18X3	1
4-11	152.11.515	DOWEL PIN 8X14	2
4-12	GB/T16674 M6X28	BOLT M6X28	1
4-13	GB/T16674 M6X95	BOLT M6X95	4
4-14	GB/T16674 M6X100	BOLT M6X100	1
4-15	GB/T16674 M6X110	BOLT M6X110	2
4-16	GB/T16674 M6X35	BOLT M6X35	1
4-17	GB/T16674 M6X25	BOLT M6X25	2
4-18	GB5783 M5X12	BOLT M5X12	2

FIG. 5 FAN/WIND GUIDE COVER



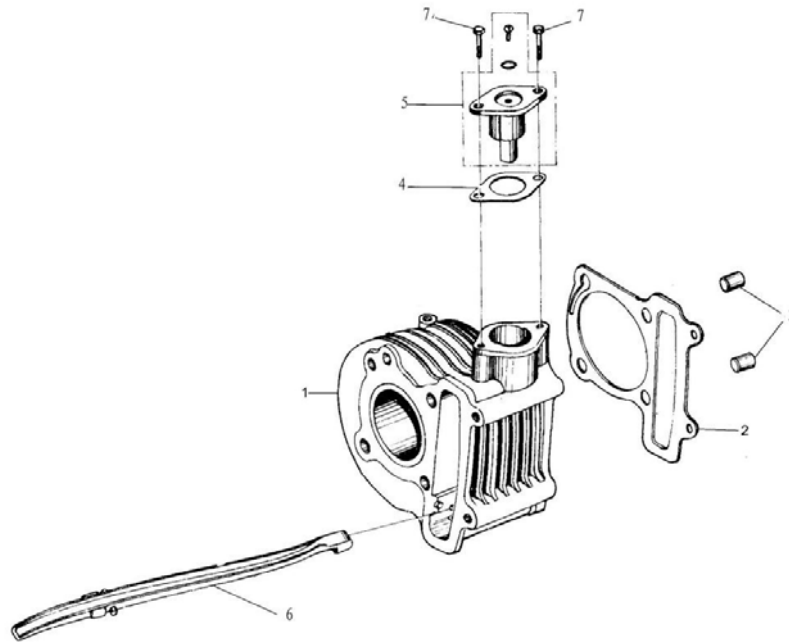
FAN / WIND GUIDE COVER			
REF NO.	PART NO.	DESCRIPTION	QTY
5-1	152.05.002	FAN VOLUTE ASSY.	1
5-2	157A.12.305	FAN COVER CLAPBOARD	1
5-3	152.12.118	COOLING PIPE	1
5-4	152.05.004	WIND GUIDE COVER ASSY. LOWER	1
5-5	152.12.117	WIND GUIDE COVER ASSY. LOWER SEAL	1
5-6	152.05.003	WIND GUIDE COVER ASSY. UPPER	1
5-7	152.12.203	HIGH-VOLTAGE CABLE CLIP	1
5-8	152.12.116	WIND GUIDE COVER ASSY. UPPER SEAL	1
5-9	GB/T16824.2 ST4.8X16	TAPPING SCREW ST4.8X16	4
5-10	GB/T16674 M6X25	BOLT M6X25	3
5-11	GB845 ST3.8X11	TAPPING SCREW ST3.8X11	3

FIG . 6 ELECTRIC START SYSTEM



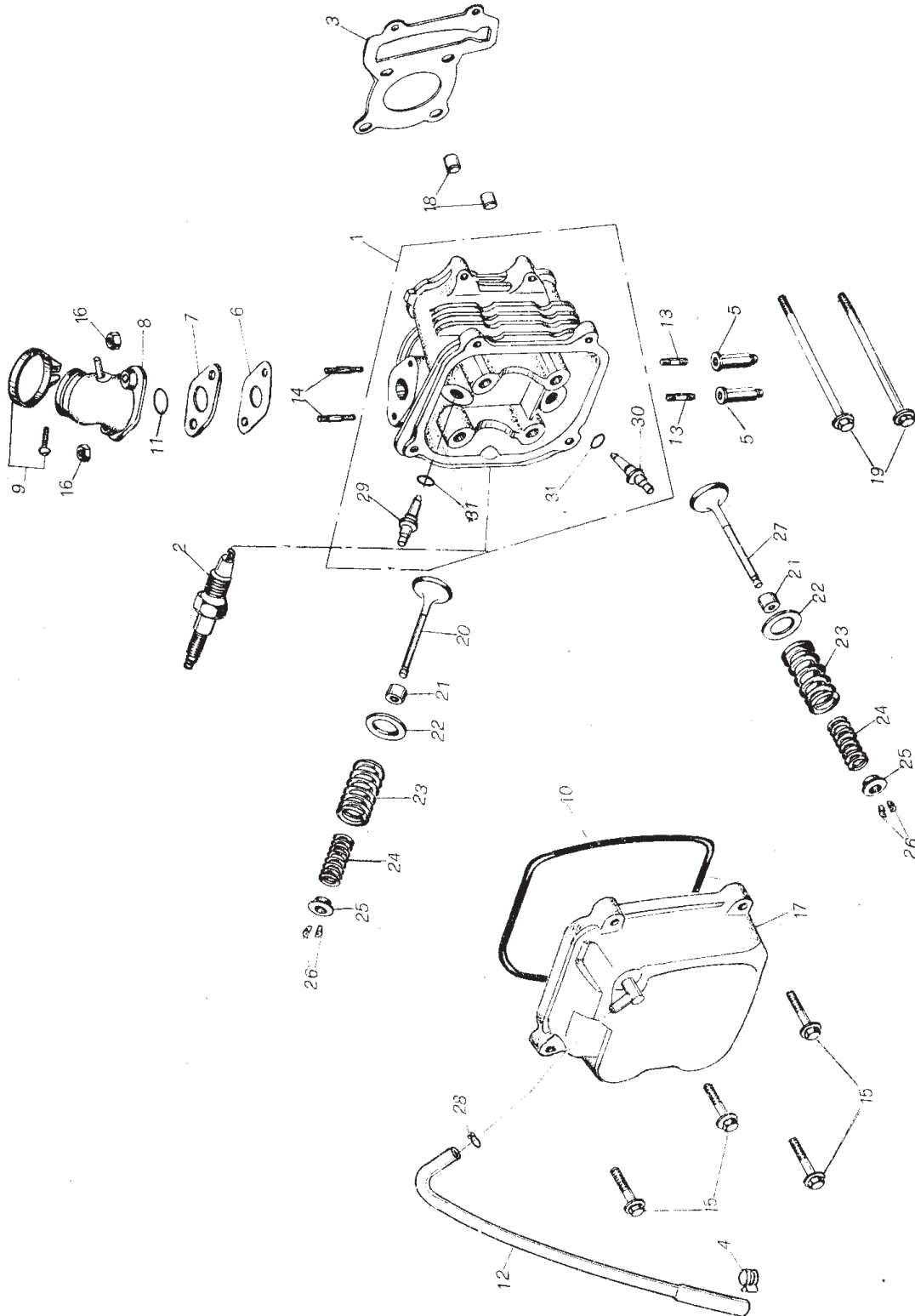
ELECTRIC START SYSTEM			
REF NO.	PART NO.	DESCRIPTION	QTY
6-1	152.06.100	OVERRUN CLUTCH	1
6-2	152.06.003	ELECTRIC STARTING GEAR SHAFT	1
6-3	152.06.002	STARTING GEAR	1
6-4	GB/T16674 M6X16	BOLT M6X16	2
6-5	152.07.500	STARTING MOTOR	1

FIG. 7 CYLINDER COMP.



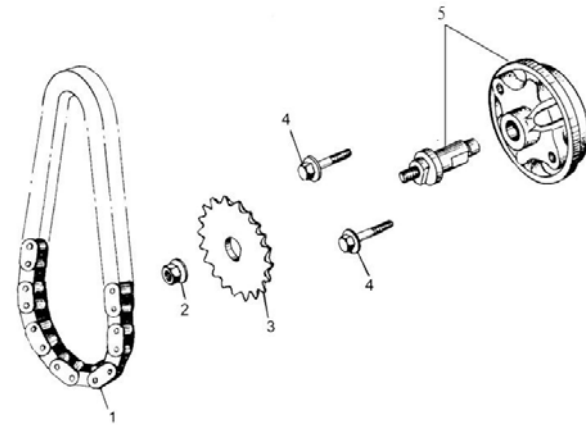
CYLINDER COMP.			
REF NO.	PART NO.	DESCRIPTION	QTY
7-1	157.04.100	CYLINDER	1
7-2	152.12.304	CYLINDER GASKET	1
7-3	152.11.516	DOWEL PIN 10X16	2
7-4	152.09.003-CAS	CHAIN ADJUSTER SPACER	1
7-5	152.02.400	CHAIN ADJUSTER ASSY.	1
7-6	152.02.602	CHAIN GUILDER	1
7-7	GB/T16674 M6X20	BOLT M6X20	1

FIG 8. CYLINDER HEAD COMP.



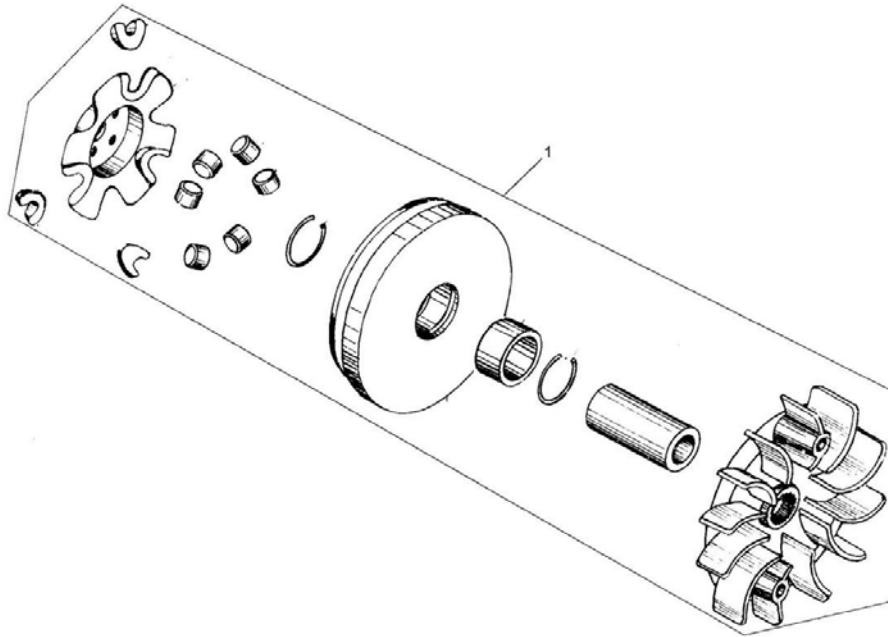
CYLINDER HEAD COMP.			
REF NO.	PART NO.	DESCRIPTION	QTY
8 -1	157.04.200	CYLINDER HEAD	1
8 -2	152.07.200	SPARK PLUG (C7HSA NGK)	1
8 -3	157.04.401	CYLINDER HEAD GASKET	1
8 -4	152.12.307	INSULATOR SPACER	1
8 -5	152.08.201	CARBURETOR INSULATOR	1
8 -6	152.08.200	INTAKE TUBE ASSY.	1
8 -7	152.08.210	INTAKE TUBE CLAMP COMP.	1
8 -8	152.12.111	CYLINDER HEAD COVER RUBBER GASKET	1
8 -9	152.12.109	O-RING 27X2	1
8 -10	152.12.112	CYLINDER HEAD BREATHER PIPE	1
8 -11	152.11.201	DOUBLE-END BOLT M6X32	2
8 -12	152.11.202	DOUBLE-END BOLT M6X63	2
8 -13	GB/T16674 M6X25	BOLT M6X25	4
8 -14	GB6177 M6	NUT M6	2
8 -15	152.04.301	CYLINDER HEAD COVER	1
8 -16	152.11.516	DOWEL PIN 10X16	2
8 -17	GB/T16674 M6X100	BOLT M6X100	2
8 -18	157.02.301	INTAKE VALVE	1
8 -19	152.12.104	VALVE OIL SEAL	2
8 -20	152.02.306	VALVE SPRING SEAT	2
8 -21	152.02.303-304	VALVE SPRING	2
8 -22	152.02.305	VALVE SPRING RETAINER	2
8 -23	152.02.307	VALVE LOCKING CLAMP	4
8 -24	157.02.302	EXHAUST VALVE	1

FIG . 9 ENGINE OIL PUMP



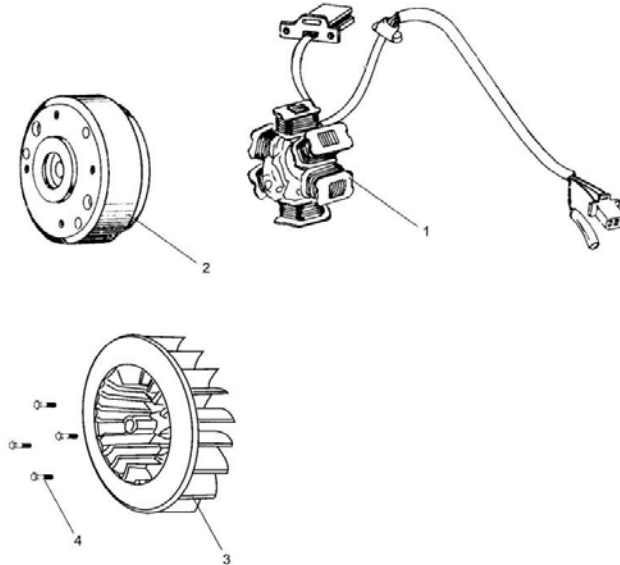
ENGINE OIL PUMP			
REF NO.	PART NO.	DESCRIPTION	QTY
9 -1	152.09.200	OIL PUMP CHAIN	1
9 -2	GB6177 M6	NUT M6	1
9 -3	152.09.005	OIL PUMP SPROCKET	1
9 -4	GB/T16674 M6X25	BOLT M6X25	2
9 -5	152.09.100	OIL PUMP ASSY.	1

FIG.10 DRIVING WHEEL COMP.



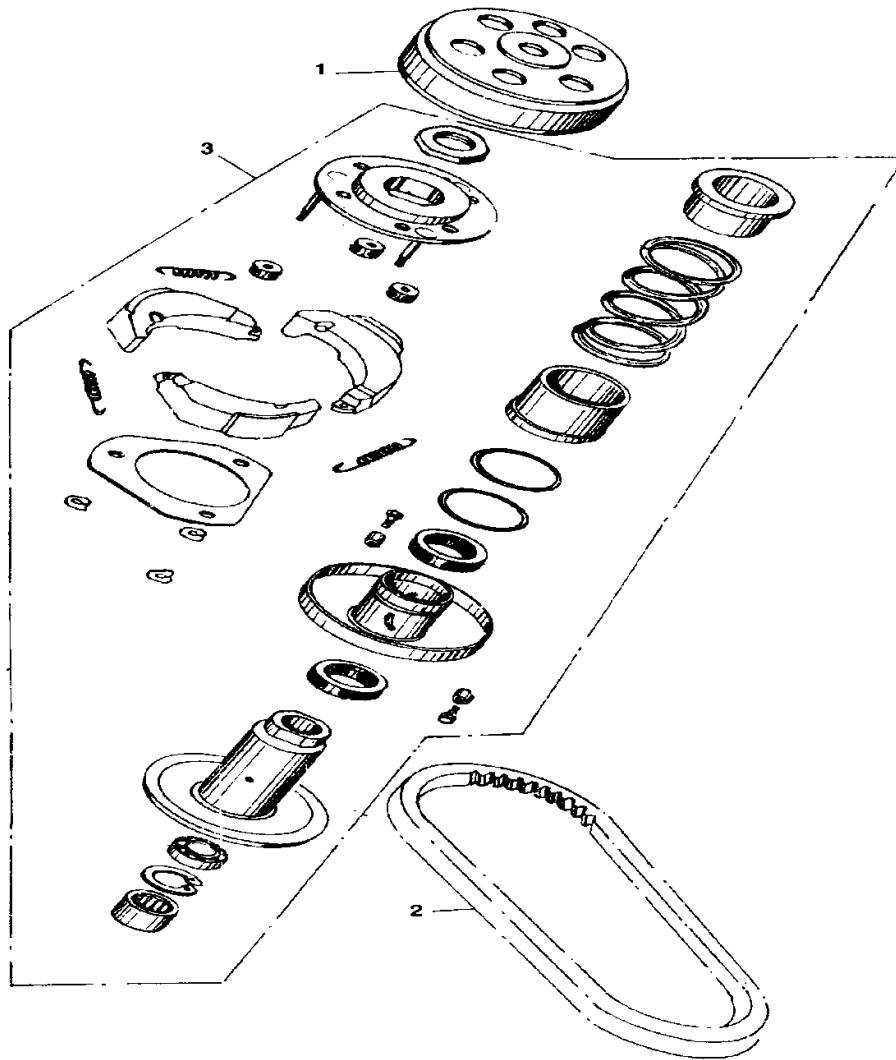
DRIVING WHEEL COMP.			
REF NO.	PART NO.	DESCRIPTION	QTY
10-1	157F.10.100	DRIVING WHEEL COMP.	1

FIG . 11 MAGNETOR



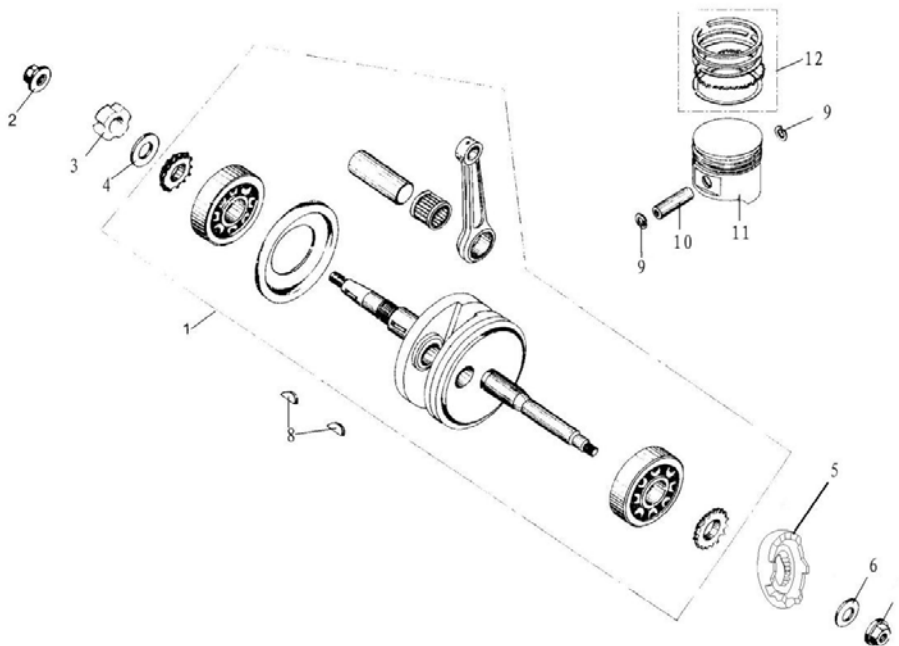
MAGNETOR			
REF NO.	PART NO.	DESCRIPTION	QTY
11-1	152.07.102	MAGNETO STATOR ASSY.	1
11-2	152.07.101	MAGNETO FLYING WHEEL ASSY.	1
11-3	152.05.001	FAN IMPELLER	1
11-4	GB/T16674 M6X18	BOLT M6X18	4

FIG. 12 DRIVEN WHEEL COMP



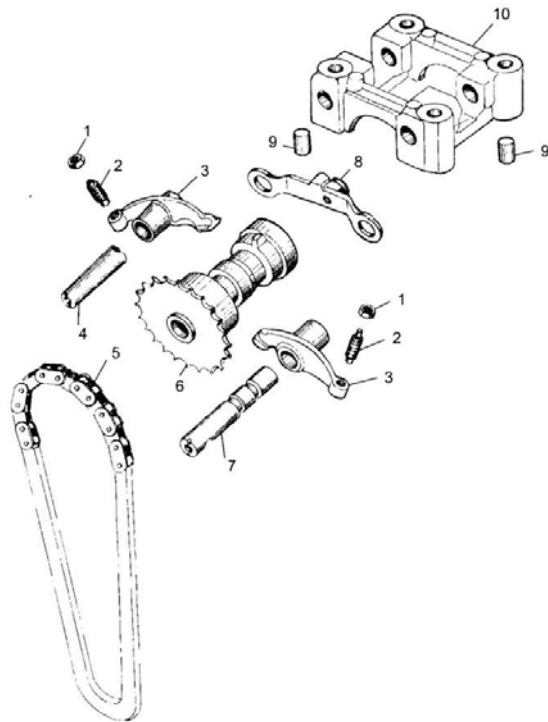
DRIVEN WHEEL COMP.			
REF NO.	PART NO.	DESCRIPTION	QTY
12-1	152.10.210	CLUTCH COAT ASSY.	1
12-2	152.10.300	BELT	1
12-3	152.10.200	DRIVEN WHEEL COMP.	1

FIG. 13 CRANK SHAFT / PISTON COMP.



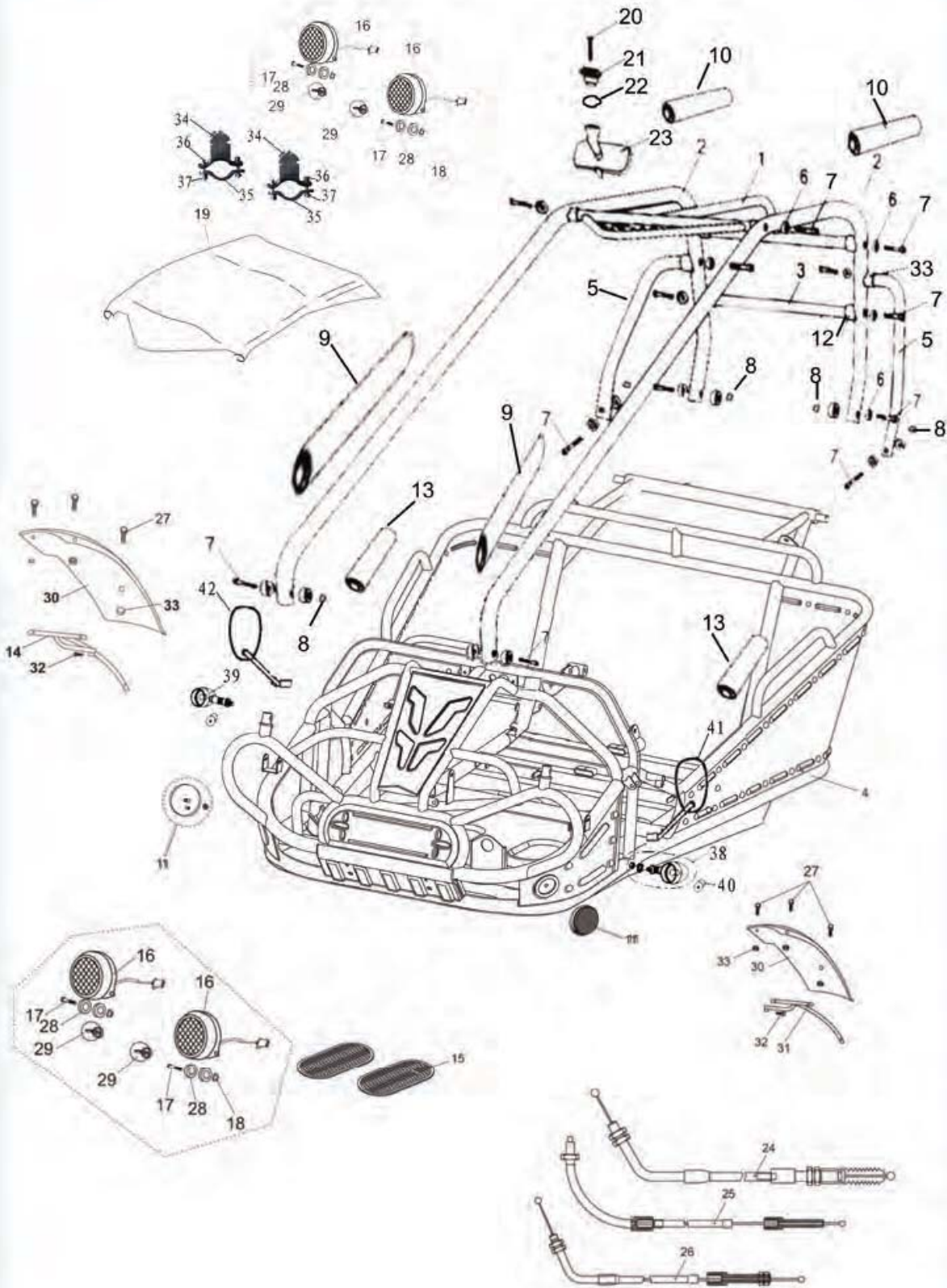
CRANKSHAFT / PISTON COMP.			
REF NO.	PART NO.	DESCRIPTION	QTY
13-1	157F.01.100	CRANKSHAFT	1
13-2	GB6187 M12X1.25	SELF-LOCKING NUT M12X1.25	1
13-3	152.11.301	LOCKING NUT M22X1	1
13-4	152.11.402	WASHER 22X31X2.5	1
13-5	157F.06.001	RATCHET WHEEL	1
13-6	157F.11.403	WASHER 15.2X25X2.3	1
13-7	GB6177 M12X1.25X11	NUT M12X1.25X11	1
13-8	152.11.101	WOODRUFF KEY 4X14	2
13-9	152.01.307	PISTON PING SNAP RING	2
13-10	157.01.306	PISTON PING	1
13-11	157.01.301	PISTON	1
13-12	157.01.302-305	PISTON RING	1

FIG. 14 TIMING SYSTEM



TIMING SYSTEM			
REF NO.	PART NO.	DESCRIPTION	QTY
14-1	152.02.106	VALVE ADJUSTING NUT	2
14-2	152.02.105	VALVE LASH ADJUSTING SCREW	2
14-3	152.02.102	VALVE ROCKET	2
14-4	152.02.104	EXHAUST VALVE ROCKER SHAFT	1
14-5	152.02.500	CAMSHAFT DRIVING CHAIN	1
14-6	152.02.200	CAMSHAFT COMP.	1
14-7	152.02.103	INTAKE VALVE ROCKER SHAFT	1
14-8	152.02.107	STOPPING PLATE	1
14-9	152.11.516	DOWEL PIN 10X16	2
14-10	152.02.101	CAMSHAFT FIXING BRACKET	1

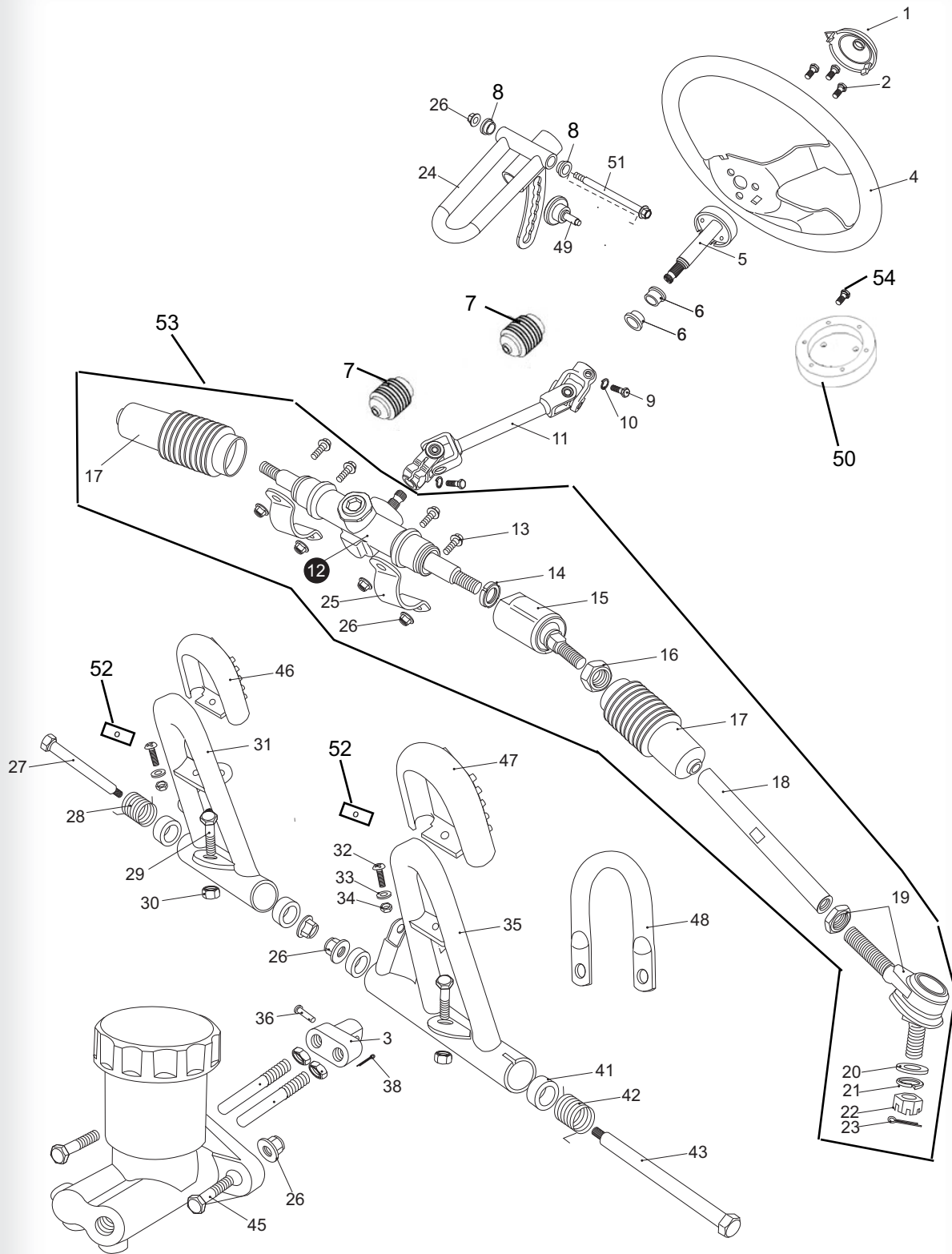
FRAME GROUP



FRAME GROUP				
REF NO.	PART NO.	DESCRIPTION	REGD NO.	
1	8.070.063-150XRS	C.B.C. CROSS BAR , FR(B.R.S)	1	
2	8.070.065-150XRS	C.B.C. BAR CAGE(B.R.S)	1	
3	8.070.064-150XRS	C.B.C. CROSS BAR , RR(B.R.S)	2	
4	8.070.066-150XRX	FRAME COMP.(B.R.S.)	1	
5	8.070.067-150XRS	C.B.C. BAR,SIDE(B.R.S)	2	
6	8.010.047	R-WASHER	20	
7	9.908.055N	SOCKET BOLT M8X1.25X55	14	
8	9.220.008	LOCKING FLANGE NUT M8	6	
9	6.000.116	FOAM PADDING-2	2	
10	6.000.300	FOAM PADDING-AWNING	2	
11	6.000.144	FRONT REFLECTOR	2	
12	7.010.017	TUBE SEAT Φ 25	6	
13	6.000.083	FOAM PADDING-1	2	
14	6.000.102	FRONT FENDER BRACKET,R.	1	
15	7.020.012	RUBBER FOOT PLATE	2	
16	6.000.009	HEADLIGHT UNIT	4	
17	9.108.045	FLANGE BOLT M8 x 1.25 x 45	4	
18	9.220.008	NUT M8	4	
19	6.100.061	AWNING	1	
20	9.100.530	BOLT M5X30	1	
21	8.010.086	REAT MIRROR MOUNT	1	
22	8.040.005	REAT MIRROR MOUNT O-RING	1	
23	6.000.084	REAT MIRROR ASSY	1	
24	6.000.232	THROTTLE CABLE COMP.	1	
25	60130-300G	REVERSE CABLE COMP.	2	
26	6.000.050	PARKING BRAKE CABLE COMP.	1	
27	9.106.016	FLANGE BOLT M6X16	6	
28	8.010.049	HEADLIGHT RUBBER MOUNTING	8	
29	9.090.001	HEADLIGHT BULB 35W/35W/ 12V	4	
30	7.010.034	FENDER, FR.	2	
31	6.000.067	FRONT FENDER BRACKET, L.	1	
32	9.100.612	BOLT M6 x 12	4	
33	7.010.016	TUBE SEAT Φ 32	2	
34	58021-150XRX	HEAD LIGHT BRACKET 1	1	
35	58022-150XRX	HEAD LIGHT BRACKET 2	1	
36	GB7005025100	BLOT M5X25	4	
37	617005000100	NUT M5	4	
38	6.000.155-FR	TRUN LIGHT ASSY .L.FR	1	
39	6.000.156-FR	TRUN LIGHT ASSY .R.FR	1	
40	9.090.006	TRUN LIGHT BULB 10W/12V	1	
41	80050250000L	READ MIRROR ASSY.L	1	
42	80050250000R	READ MIRROR ASSY.R	1	

FIG.16

STEERING SHAFT ASSY.

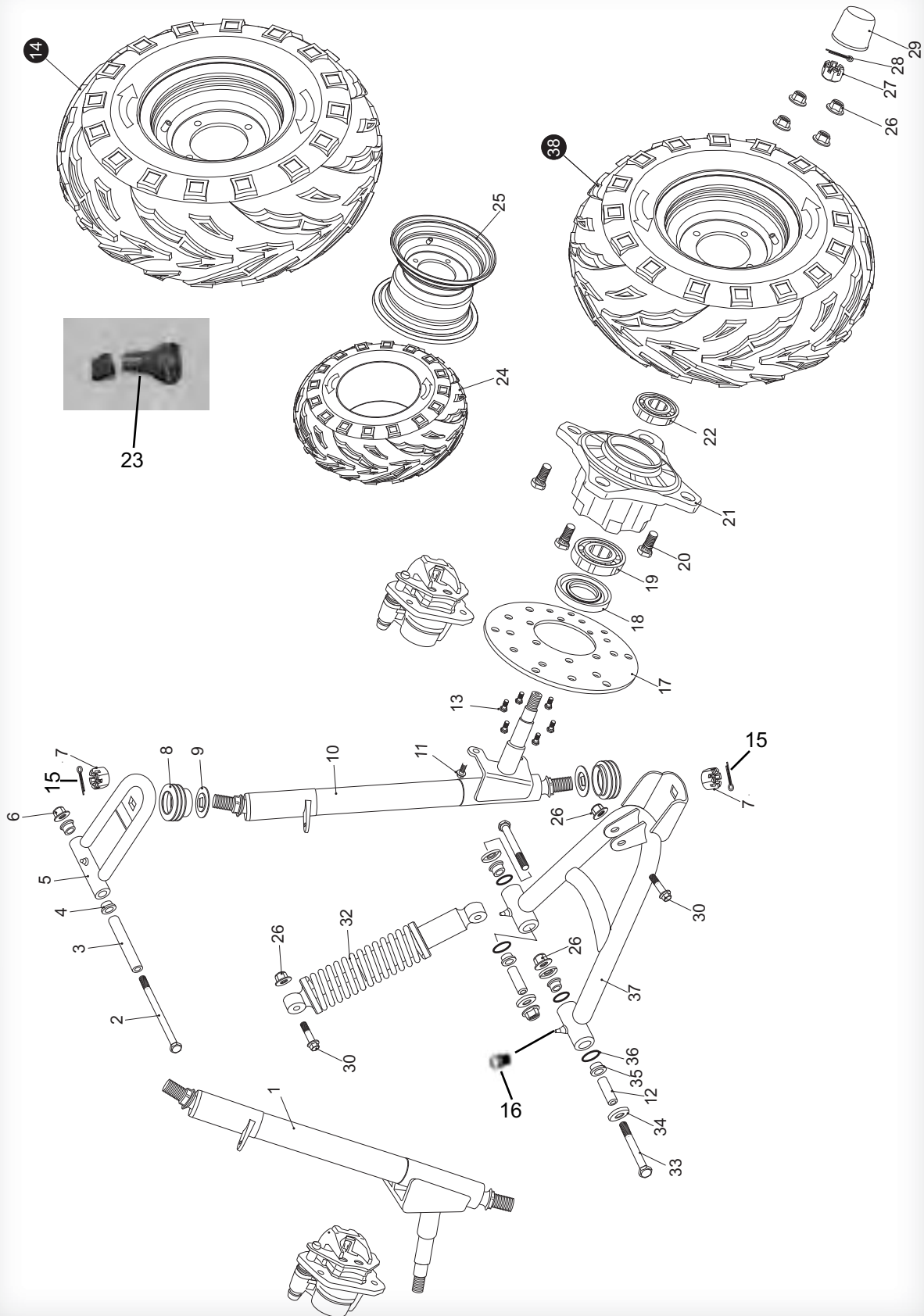


STEERING SHAFT ASSY.

REF NO.	PART NO.	DESCRIPTION	REGD NO.	
1	7.010.041-300GK	STEERING BOLT COVER	1	
2	GB7005020100	BOLT M5X20	6	
3	8.030.024	SPINDLE BRACKET	1	
4	7.020.038-300GK	STEERING WHEEL	1	
5	6.000.122-150XRX	STEERING SHAFT	1	
6	7.010.026	BUSH. STEERING SHAFT	2	
7	7.020.066	DUST COVER . BALL JOINT	1	
8	7.010.003	TILT STEERING LOCKING BUSH	2	
9	9.100.825	BOLT M8x25	2	
10	9.400.008	LOCKING WASHER Φ 8	2	
11	6.000.093-250	STEERING KNUCKLE	1	
12	4.000.030-250	STEERING GEAR	1	
13	9.108.025	FLANGE BOLT M8x1.25x25	4	
14	9.900.016	ROUND NUT M16x1.5	2	
15	4.000.008-150XRS	STEERING BALL JOINT	2	
16	9.200.010	NUT M10	2	
17	7.020.002-250	BALL JOINT DUST COVER. L.	2	
18	8.010.157-250	TIE ROD	2	
19	6.000.062-250	ROD END	2	
20	9.300.010	FLAT WASHER Φ 10	2	
21	9.400.010	LOCKING WASHER Φ 10	2	
22	9.800.010	CASTLE NUT M10	2	
23	9.500.215	COTTER PIN Φ 2x15	2	
24	4.000.051-150XRX	TILT STEERING HOUSING	1	
25	8.020.014	STEERING GEAR BRACKET	2	
26	9.220.008	LOCKING FLANGE NUT. M8	8	
27	9.708.145	THROTTLE PEDAL BOLT M8x1.25x145	1	
28	8.040.001	THROTTLE PEDAL RETURN SPRING, L	1	
29	9.108.040	FLANGE BOLT M8x1.25x40	2	
30	9.200.008	NUT M8	2	
31	4.000.016	THROTTLE PEDAL COMP.	1	
32	9.600.515	PAN SCREW M5x15	2	
33	9.300.005	FLAT WASHER Φ 5	2	
34	9.210.005	NYLON LOCK NUT M5	2	
35	4.000.015	BRAKE PEDAL COMP	1	
36	9.700.628	PIN 6x28	1	
38	9.500.212	COTTER PIN 2X12	1	
41	7.010.004	PEDAL BUSH	4	
42	8.040.007	BRAKE PEDAL RETURN SPRING, R	1	
43	9.708.222	BRAKE PEDAL BOLT M8x1.25x222	1	
45	9.108.035	BOLT-WASHER M8x1.25x35	2	
46	7.020.036	THROTTLE PEDAL PAD		
47	7.020.037	BRAKER PEDAL PAD	1	
48	8.070.044	MASTER CYLINDER BRACKET	2	
49	8.010.220	STEERING GEAR , ADJUSTING BOLT	1	
50	8.010.096	STEERING WHEEL BRACKET	1	
51	9.108.105	BOLT M8X105	1	
52	8.020.104	PEDAL PAD PLATEN	2	
53	40920-250	STEERING SHAFT ASSY	1	
54	578306012100	NUT M6X12	3	

FIG.17

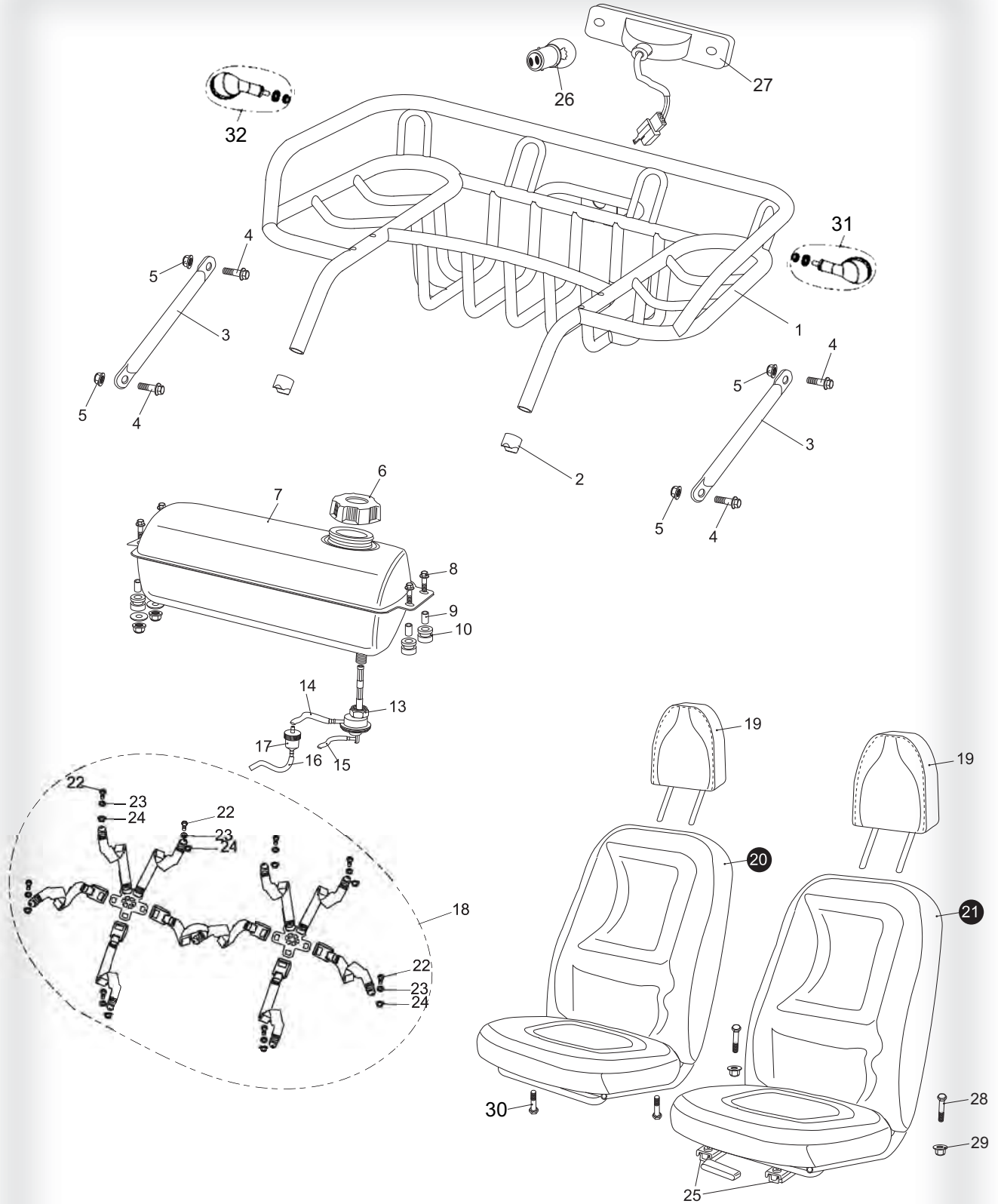
SUSPENSION ARM ASSY.



SUSPENSION ARM ASSY.				
REF NO.	PART NO.	DESCRIPTION	REGD NO.	
1	2.000.028	STRUT AND SPINDLE SUPPORT, R	1	
2	9.108.105	FLANGE BOLT M8x1.25x105	2	
3	8.010.015	UPPER SUSPENSION ARM COLLAR	2	
4	7.010.003	UPPER SUSPENSION ARM BUSHING	4	
5	4.000.004	UPPER SUSPENSION ARM	2	
6	9.220.008	LOCKING FLANGE NUT. M8	2	
7	9.800.012	CASTLE NUT M12	4	
8	7.020.025	BALL HEAD DUST SEAL	4	
9	8.020.053	BALL HEAD SPACER	4	
10	2.000.027	STRUT AND SPINDLE SUPPORT, L	1	
11	9.908.014	BOLT STRAP M8x14	4	
12	8.010.014	LOWER SUSPENSION ARM COLLAR	4	
13	9.906.012	BOLT STRAP M6x12	12	
14	6.000.097-GT	FRONT WHEEL ASS'Y. R 19x7-8	1	
15	9.500.225	COTTER PIN Φ 2x25	2	
16	54006400N000	LUBRICATING NIPPLE	6	
17	8.010.054	FRONT DISC BRAKE	2	
18	9.040.002	DUST SEAL 47x25-7	2	
19	9.030.002	BEARING 6204-Z	2	
20	9.710.031	TIRE BOLT M10x1.25x31	8	
21	8.010.085-150XRS	FRONT WHEEL HUB	2	
22	9.030.010	BEARING 6202-Z	2	
23	7.190.018	TIRE NIPPLE	2	
24	7.020.033	FRONT TIRE 19x7-8	2	
25	6.000.096	FRONT RIM L/R	2	
26	9.220.010	LOCKING FLANGE NUT M10	16	
27	9.800.014	CASTLE NUT M14	2	
28	9.500.330	COTTER PIN Φ 3x30	2	
29	7.020.039	FR. HUB COVER.	2	
30	9.110.040	FLANGE BOLT M10x1.25x40	4	
32	6.000.325	CUSHION ASSY. FR L=325	2	
33	9.110.080	FLANGE BOLT M10x1.25x80	4	
34	8.020.034	LOWER SUSPENSION ARM DUST CAP	8	
35	7.010.002	LOWER SUSPENSION ARM BUSHING	8	
36	9.040.001	O-RING Φ 21.2x2.65	8	
37	4.000.023	LOWER SUSPENSION ARM ASSY.	2	
38	6.000.003-GT	FRONT WHEEL ASSY. L 19X7-8	1	

FIG. 18

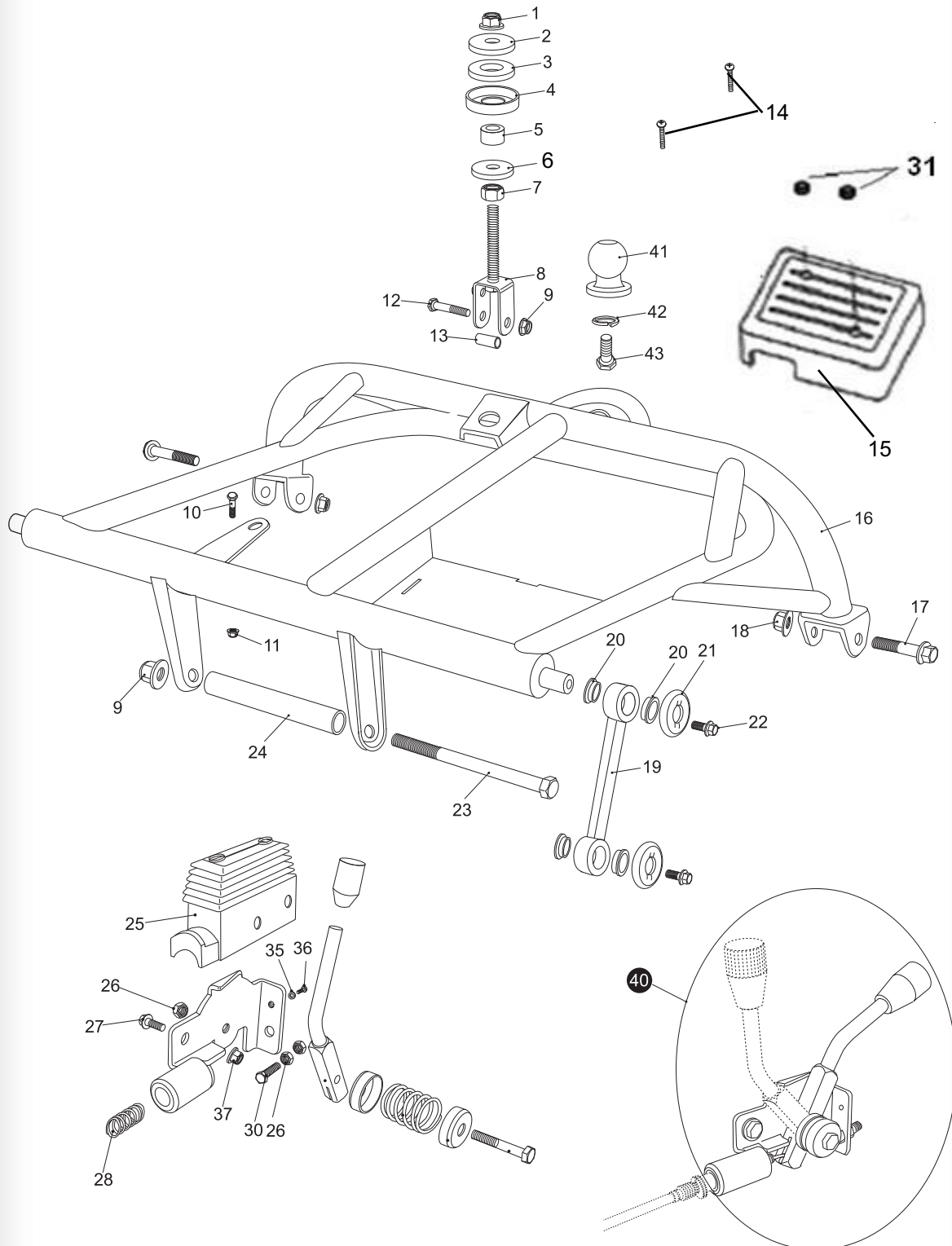
REAR CARGO RACK/SEAT/BELT



REAR CARGO RACK/SEAT/BELT				
REF NO.	PART NO.	DESCRIPTION	REGD NO.	
1	2.000.061	REAR CARGO RACK (B. G. R.)	1	
2	7.010.017	TUBE SEAT Ø 25	2	
3	8.080.051	RACK SUPPORT ARM (B. G. R.)	2	
4	9.108.020	FLANGE BOLT M8x1.25x20	4	
5	9.210.008	LOCKING FLANGE NUT. M8	4	
6	6.000.145	FUEL TANK CAP COMP.	1	
7	4.000.029	FUEL TANK COMP.	1	
8	9.108.025	FLANGE BOLT M8x1.25x25	4	
9	8.010.034	TANK COLLAR	4	
10	7.020.005	RUBBER MOUNT	4	
13	6.000.046	AUTO FUEL COCK ASS'Y.	1	
14	7.020.021	FUEL TUBE COMP. #1	1	
15	7.020.031	VACUUM TUBE COMP.	1	
16	7.020.022	FUEL TUBE COMP. #2	1	
17	6.000.056	FILTER	1	
18	6.000.354	SAFETY BELT COMP.	1	
19	6.000.376	HEAD-REST	2	
20	6.000.378	SEAT COMP	1	
21	6.000.377	SEAT COMP. L	1	
22	9.700.001	SPECIAL BOLT, M7/16"x28	1	
23	9.700.002	WASHER BELT Ø 12	9	
24	9.700.003	BELT NUT M7/16"	9	
25	6.000.379	SEAT RAIL SET.	1	
26	9.090.002	TAIL LIGHT BULB	1	
27	6.000.387	TAIL LIGHT	1	
28	9.900.840	BOLT SHARP M8X1.25X40	2	
29	9.220.008	NUT M8	2	
30	9.108.045	FLANGE BOLT M8x1.25x 45	2	
31	6.000.156-RR	TURN LIGHT .L. RR.	1	
32	6.000.155-RR	TURN LIGHT .R. RR.	1	

FIG. 19

REAR SWING ARM ASSY. UPPER

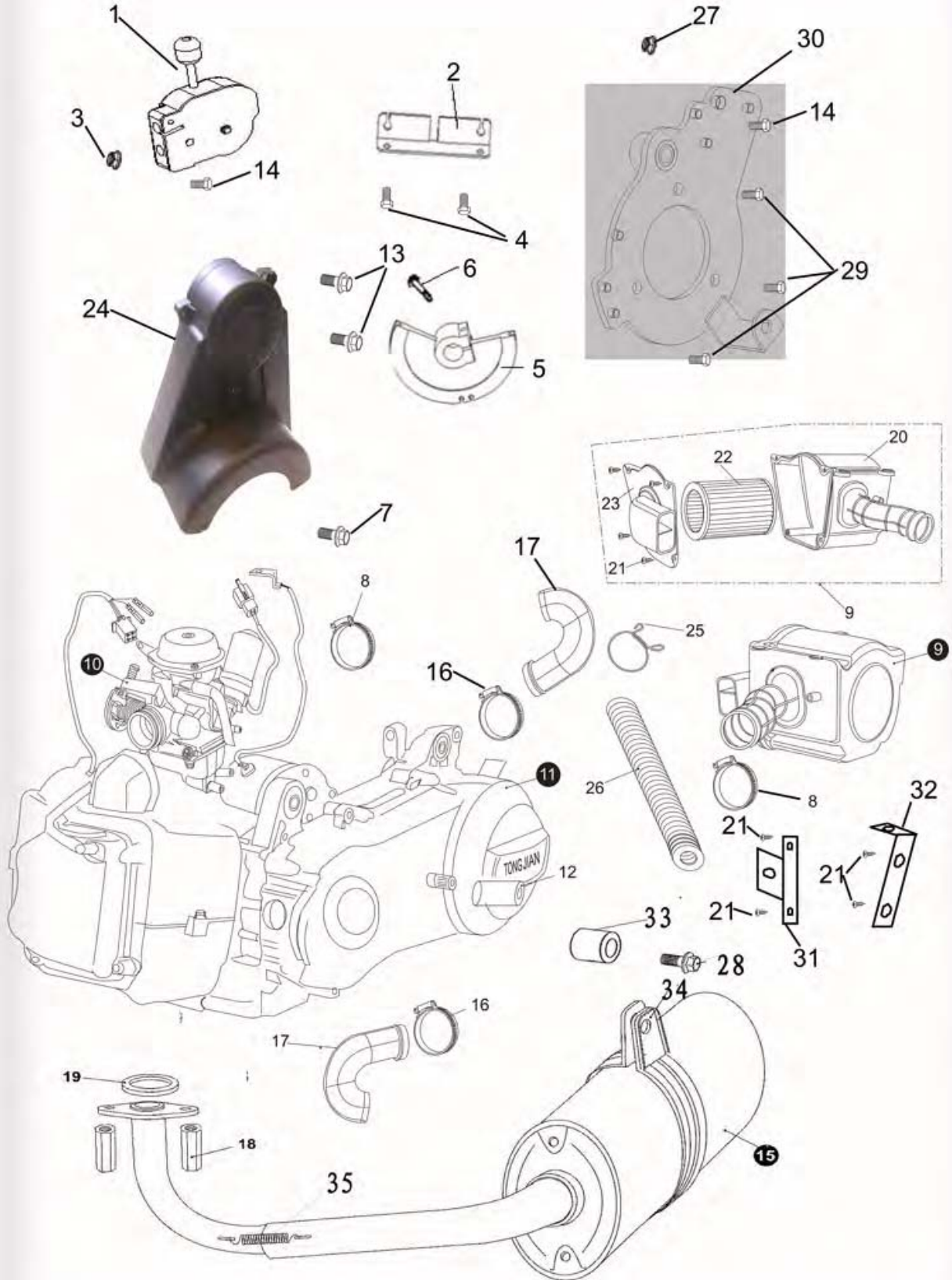


REAR SWING ARM ASSY.UPPER

REF NO.	PART NO.	DESCRIPTION	REGD NO.	
1	9.220.012	LOCKING FLANGE NUT. M12	1	
2	8.010.042	WASHER. ENGINE MOUNT LINK	1	
3	7.020.001	CUSHION. ENGINE MOUNT LINK	1	
4	8.020.045	SPACER. ENGINE MOUNT LINK	1	
5	8.010.041	COLLAR. ENGINE MOUNT LINK	1	
6	8.010.042	WASHER. ENGINE MOUNT LINK	1	
7	9.200.012	NUT M12	1	
8	6.000.026	ENGINE MOUNT BOLT PLATE	1	
9	9.220.010	LOCKING FLANGE NUT. M10	1	
10	9.106.022	BOLT M6X16	1	
11	9.210.008	LOCKING FLANGE NUT. M6	1	
12	9.110.045	BOLT M10X1.25X45	1	
13	8.010.076	COLLAR. ENGER MOUNT BOLT PLATE	1	
14	9.600.660	SCREW. PAN M6X60	2	
15	7.010.029	COVER. ELECTRIC ASSY	1	
16	2.000.029	REAR SWING ARM ASSY. UPPER	1	
17	9.112.060	BOLT-WASHER m12x1.25x60	2	
18	9.220.012	LOCKING FLANGE NUT. M12	2	
19	8.030.001	SWING ARM DOG BONE	2	
20	7.010.008	BUSH. CON'ROD	8	
21	8.020.013	SPACER. CON'ROD	4	
22	9.108.016	BOLT M8X16	4	
23	9.710.195	BOLT M10X1.25X195	1	
24	8.010.025	COLLAR ENGINE MOUNT	1	
25	7.020.024	COVER. REVERSE LEVER	1	
26	9.210.008	NUT. M8	1	
27	9.108.020	BOLT M8X20	2	
28	8.040.004	SPRING .CABLE	1	
30	9.108.020	BOLT M8X20	1	
31	7.010.006	BOLT COVER	2	
35	9.300.005	WASHER FLAT 5	1	
36	9.600.512	SCREW. PAN M5X12	1	
37	9.220.008	LOCKING FLANGE NUT. M8	2	
40	6.000.042	PARKING BRAKE LEVER ASSY	1	
41	80.10.084	TOW BALL	1	
42	9.400.016	WASHER LOOK 16	1	
43	9.116.025	BOLT M16X2X25	1	

FIG. 20

ENGINE/MUFFLER/AIR CLEANER

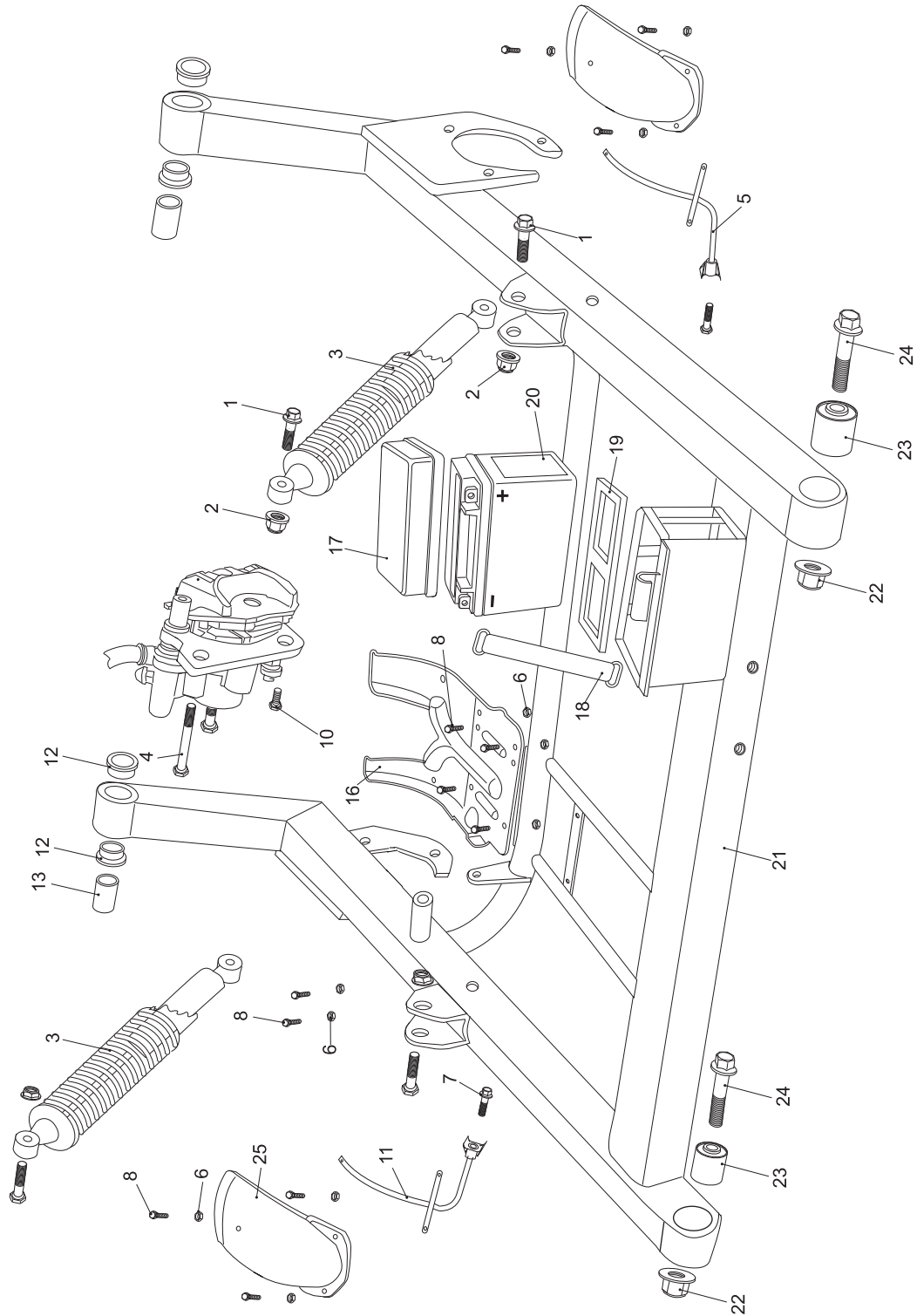


ENGINE/MUFFLER/AIR CLEANER

REF NO.	PART NO.	DESCRIPTION	REGD NO.	
1	40700-300GK	SHIFTER HOISE ASSY	1	
2	40001-300GK	REVERSE CABLE FIXED PLATE	1	
3	618708000125	LOCKING FLANGE NUT M8	1	
4	578906012100	FLANGE BOLT M6x12	2	
5	40002-300GK	SHIFTER DISK	1	
6	578306025100	BOLT M6X25	1	
7	578708030125	BOLT M8X30	1	
8	8.020.056	AIR CLEANER CLAMP	2	
9	4.000.018	AIR CLEANER ASSY.	1	
10	PD24J	CARBURETOR	1	
11	2.000.009-150XRS	ENGINE. 150cc	1	
12	8.030.037-150XRS	MUFFLER RACK SUPPORT	1	
13	578906030100	BOLT M6X30	2	
14	578708020125	BOLT M8X20	1	
15	6.000.229	MUFFLER COMP. EX	1	
16	8.020.055	BOOT CLAMP	2	
17	6.000.162	SIDE CASE BOOT.	2	
18	9.040.027	MUFFLER JOINT NUT M6	2	
19	9.040.005	EX. PIPE GASKET	1	
20	7.010.047	AIR CLEANER CASE COMP	1	
21	9.805.003	TAPPING M5x16 SCREW	9	
22	6.000.151	AIR CLEANER ELEMENT.	1	
23	7.010.048	AIR CLEANER COVER	1	
24	7.010.033-150XRS	CHAIN PROTECTOR. RR	1	
25	7.020.054	AIR CLEANER CLIP.	1	
26	7.010.057	AIR CLEANER DUCT	1	
27	617708000125	FLANGE NUT M8	1	
28	578708045125	BOLT M8X45	1	
29	578308020125	BOLT M8X20	3	
30	10111-300GK	ENGINE MOUNT PLATE	1	
31	4 9002-150	AIR CLEANER MOUNT PLATE,FR	1	
32	49003-150	AIR CLEANER MOUNT PLATE,RR	1	
33	58130-150	DOME LIGHT BUSHING	1	
34	8.020.166	EMBRACE HOOP (MUFFLER COMP . EX)	1	
35	58235400N000	SPRING (MUFFLER COMP . EX)	2	

FIG. 21

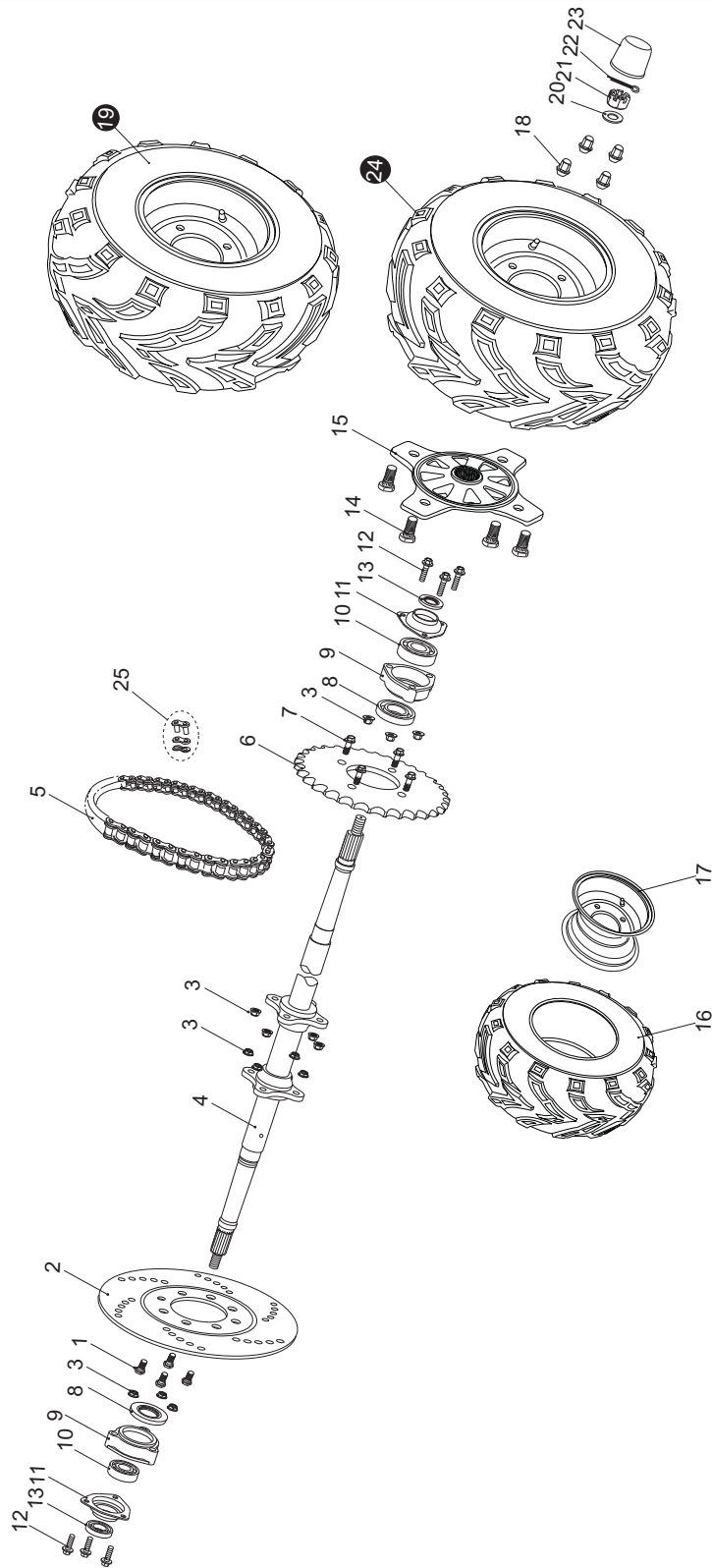
REAR SWING ARM



REAR SWING ARM				
REF NO.	PART NO.	DESCRIPTION	REGD NO.	
1	9.110.040	FLANGE BOLT M10x1.25x40	4	
2	9.220.010	LOCKING FLANGE NUT M10	4	
3	6.000.006	CUSHION ASSY. RR	2	
4	9.908.100	BOLT STRAP M8x1.25x100	1	
5	6.000.101-150XRS	REAR FENDER BRACKET, L	1	
6	9.210.006	LOCKING NYLON NUT M6	6	
7	9.108.045	FLANGE BOLT M8x1.25x45	2	
8	9.906.016	FLANGE BOLT M6x16	6	
10	9.908.012	BOLT STRAP M8x1.25x12	1	
11	6.000.101-150XRS	REAR FENDER BRACKET, R	1	
12	7.010.006	SWING ARM BUSHING	4	
13	8.010.028	SWING ARM COLLAR	2	
16	7.010.032-150XRS	CHAIN DISC GUARD	1	
17	7.010.028	BATTERY COVER	1	
18	7.020.023	BATTERY BAND	1	
19	7.020.020	BATTERY LOWER CUSHION	1	
20	6.000.382	BATTERY (YTX12-BS)	1	
21	2.000.042	RR. LOWER SWING ARM COMP.	1	
22	9.220.012	LOCKING FLANGE NUT M12	2	
23	7.020.008	SWING ARM CUSHION BUSHING	2	
24	9.112.060	FLANGE BOLT M12x1.25x60	2	
25	7.010.064	REAR FENDER L/R	2	

FIG.22

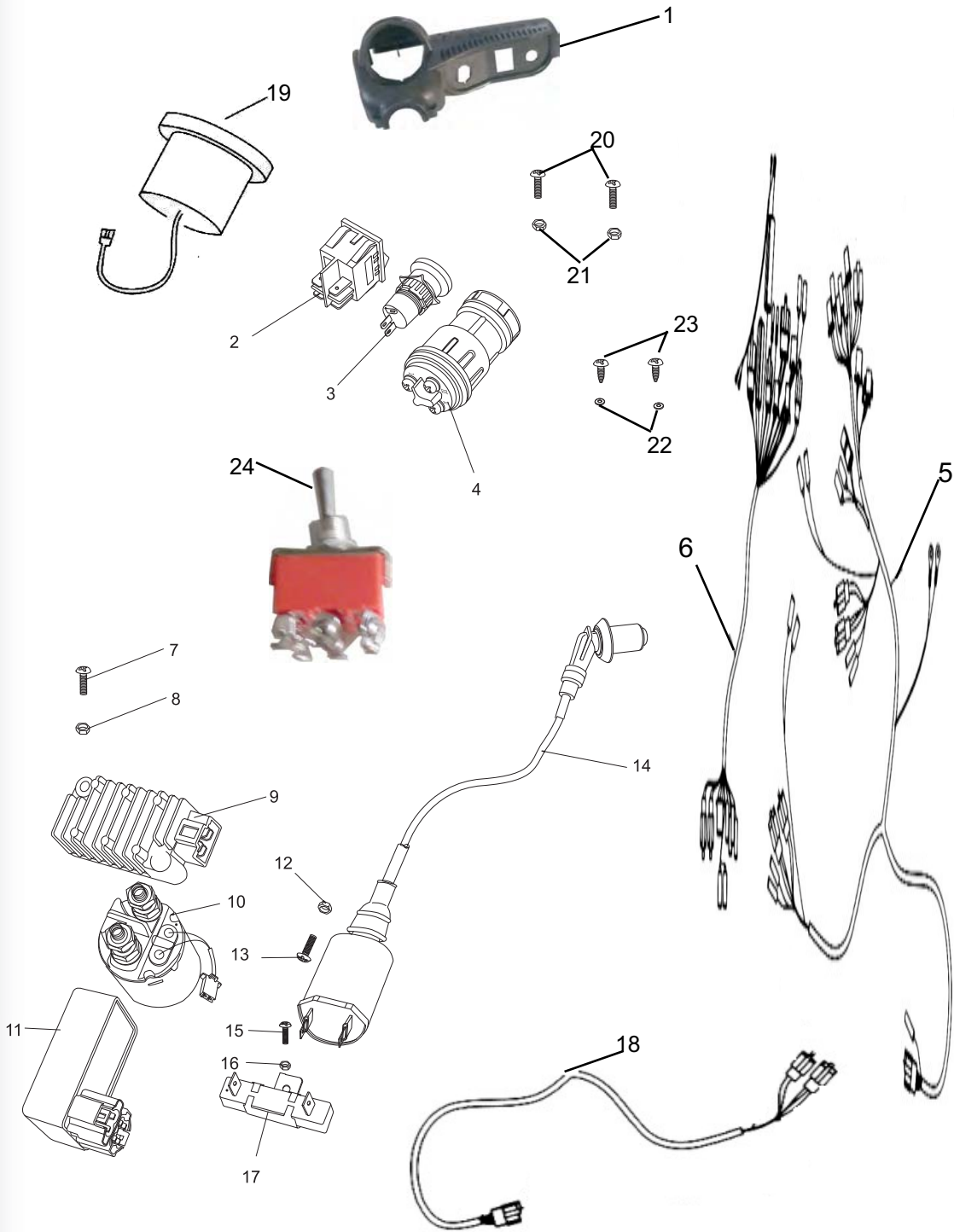
REAR HOUSING



REAR HOUSING				
REF NO.	PART NO.	DESCRIPTION	REGD NO.	
1	9.108.022	BOLT-WASHER M8x1.25x22	4	
2	8.010.053	DISC. RR. BRAKE	1	
3	9.220.008	LOCK FLANGE NUT. M8	14	
4	8.010.057-150XRS	REAR AXLE	1	
5	9.070.002-150XRS	CHAIN O-RING DRIVE. (530RO : 54)	1	
6	8.010.077	REAR SPROCKET	1	
7	9.108.027	BOLT-WASHER M8x1.25x27	4	
8	9.040.006	DUST SEAL 50X34-7	2	
9	8.030.008	COMP. HOUSING RR. AXLE BRG	2	
10	9.030.006	BEARING 6206	2	
11	8.020.028	BEARING BASE	2	
12	9.108.042	BOLT-WASHER M8x1.25x42	6	
13	9.040.007	DUST SEAL 42X30-7	2	
14	9.710.031	BOLT. TIRE M10x1.25x31	8	
15	8.010.056-150XRS	HUB. REAR AXLE	2	
16	7.020.035	TIRE. RR 22x10-10	2	
17	6.000.105	RIM. RR	2	
18	8.010.118	LUG NUT. CAP M10	8	
19	6.000.052	REAR. WHEEL ASSY. R	1	
20	9.700.016	SPACER. RR. WHEEL 16	2	
21	9.800.016	CASTLE NUT. M16	2	
22	9.500.430	COTTER PIN. 4X30	2	
23	7.020.039	COVER. RR. HUB	2	
24	6.000.383	REAR WHEEL ASSY. L	1	
25	6.000.149	MASTER LINK. CHAIN	1	

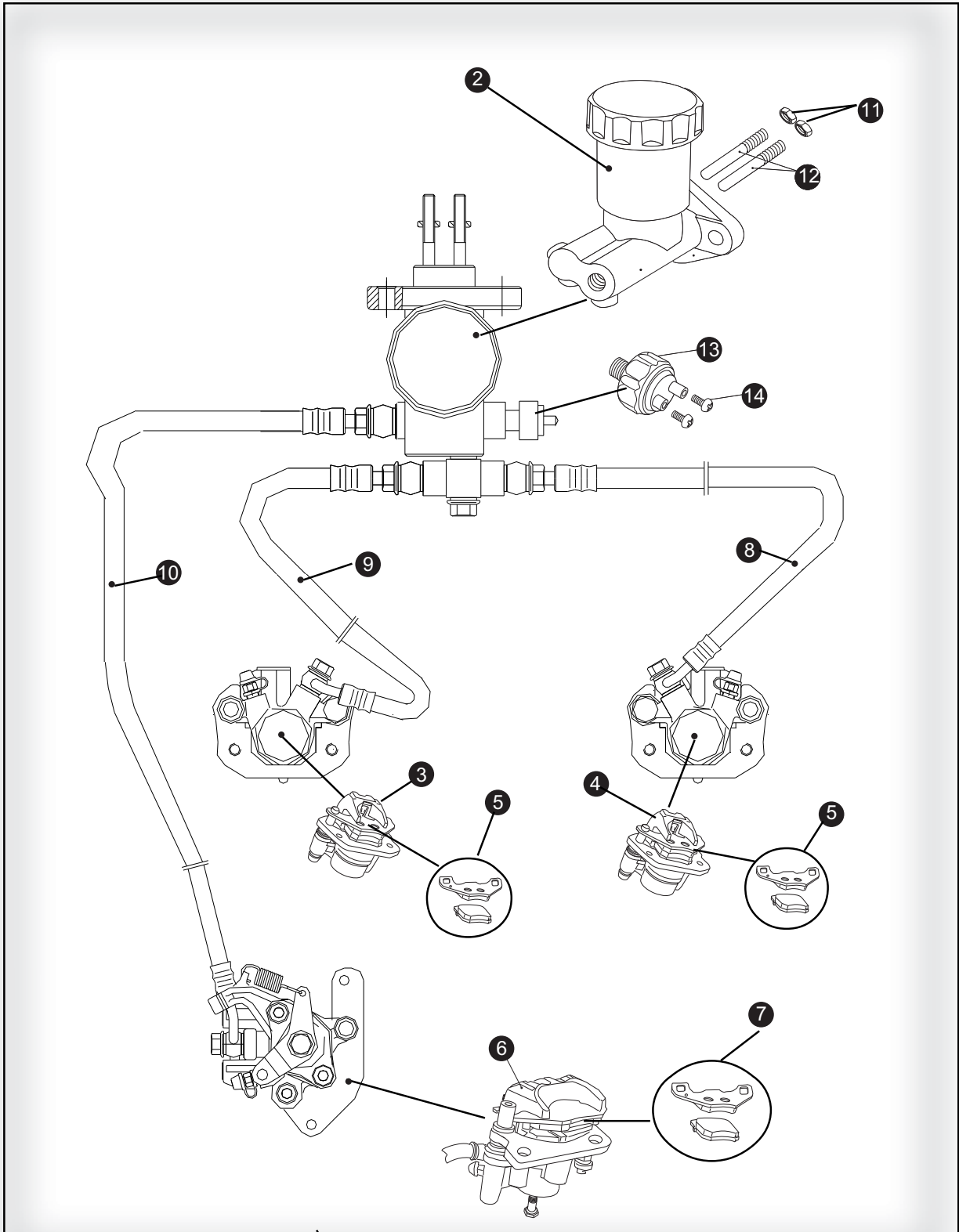
FIG.23

WIRE HARNESS/ELECTRICAL



WIRE HARNESS/ELECTRICAL				
REF NO.	PART NO.	DESCRIPTION	REGD NO.	
1	7.010.027-150XR	SWITCH PANEL COVER	1	
2	6.000.058	HEADLIGHT SWITCH	1	
3	6.000.159	ENGINE STOP BUTTON	1	
4	6.000.020-J	IGNITION START SWITCH	1	
5	6.000.380-150XR	WIRE HARNESS. MAIN	1	
6	6.000.381-150XR	WIRE HARNESS. AUXILIARY	1	
7	9.100.620	BOLT M6x20	2	
8	9.210.006	NYLON LOCKING NUT M6	2	
9	6.000.124	REGULATE RECTIFIER COMP.	1	
10	6.000.035	STARTING RELAY	1	
11	6.000.126	C.D.I. UNIT COMP.	1	
12	9.210.005	NYLON LOCKING NUT M5	1	
13	9.600.530	ROUND HEAD BOLT M5x30	1	
14	6.000.125	IGNITION COIL COMP.	1	
15	9.600.410	ROUND HEAD BOLT M4x10	1	
16	9.210.004	NYLON LOCKING NUT M4	1	
17	6.000.038	RESISTOR COMP 10W 10Ω	1	
18	6.000.382-150XR	WIRE HARNESS . DOMELIGHT	1	
19	6.000.383-150XR	ODOMETER	1	
20	081805016100	BOLT M5X16	1	
21	617005000100	NUT M5	1	
22	009705000000	WASHER 5	1	
23	282305015000000	BOLT ST5.0X15	1	
24	6.000.384-150XR	TURN LIGHT SWITCH	1	

BRAKE ASSY

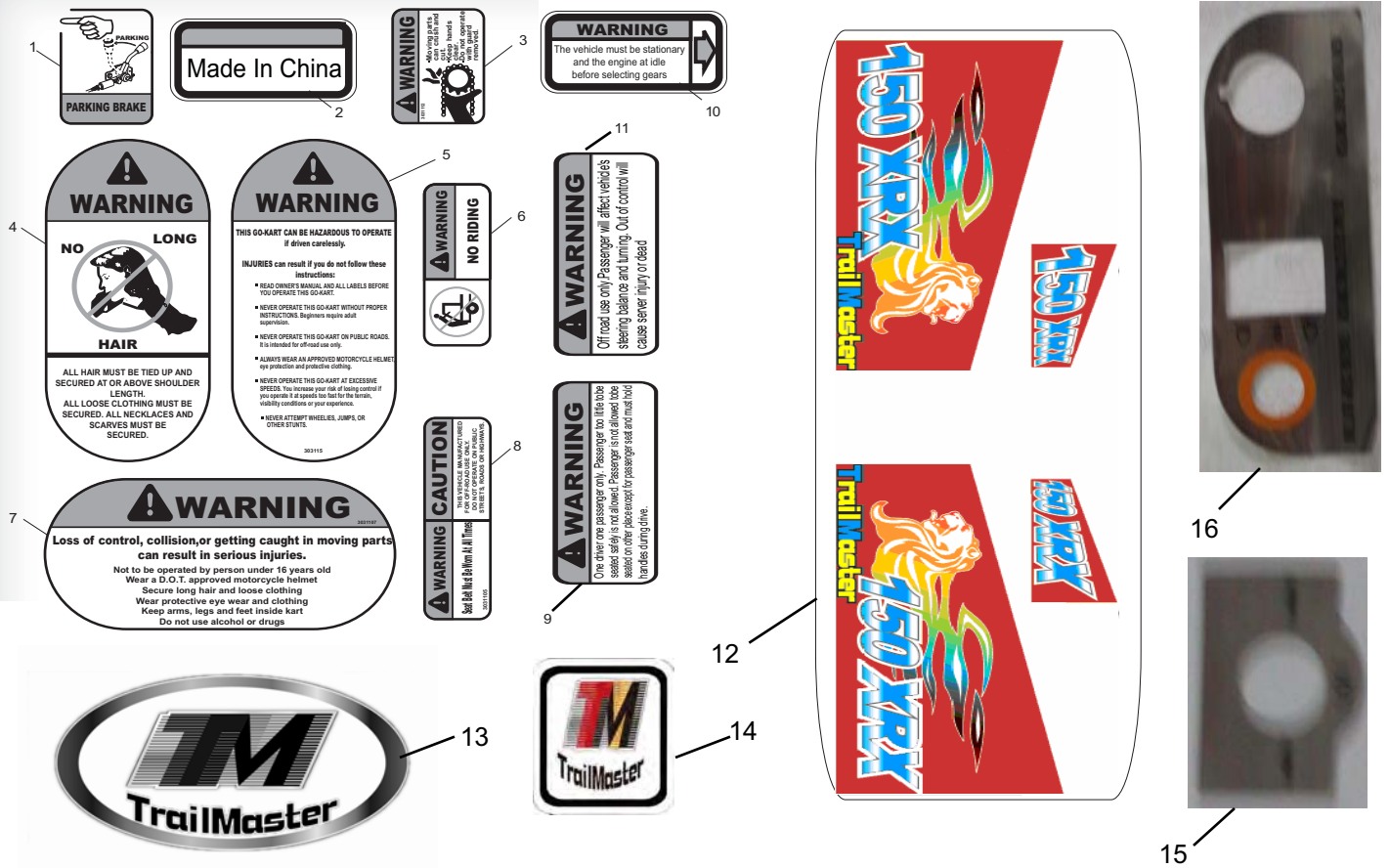


1

BRAKE ASSY

REF NO.	PART NO.	DESCRIPTION	REGD NO.	
1	45000-150	BRAKE ASSY	1	
2	6.000.076	MASTER CYLINDER . BRAKE	1	
3	6.000.095	FRONT BRAKE CALIPER . R	1	
4	6.000.028	FRONT BRAKE CALIPER . L	1	
5	7.020.016	PAD SET . FRONT BRAKE CALIPER	2	
6	6.000.229	BRAKE CALIPER ASS'Y . RR	1	
7	7.020.022	PAD SET . REAR BRAKE CALIPER	1	
8	6.000.089	HOSE ASSY . L .BRAKE 34"	1	
9	6.000.090	HOSE ASSY . R .BRAKE 43"	1	
10	6.000.091	HOSE ASSY . RR .BRAKE 75"	1	
11	8.010.081	PIN SPINDLE . BRAKE	1	
12	617008000125	NUT M8	2	

WARNING STICKERS



WARNING STICKERS

REF NO.	PART NO.	DESCRIPTION	REGD NO.
1	9.090.007	PARKING BRAKE LABEL	1
2	9.090.200	Made In China Label	1
3	9.090.009	CHAIN GUARD LABEL	1
4	9.090.010	NO LONG HAIR LABEL	1
5	9.090.011	WARNING LABEL	1
6	9.090.012	NO CLIMBING LABEL	1
7	9.090.013	WARNING LABEL	1
8	9.090.014	SEAT BELT LABEL	1
9	9.090.201	WARNING LABEL	1
10	9.090.017	WARNING LABEL	1
11	9.090.202	WARNING LABEL	1
12	9.090.230	Trademark Label ,150XRK	1
13	9.090.220	Trademark Label ,TM	1
14	9.090.221	Trademark Label ,TM	1
15	9.090.222	TURN SWITCH Label ,	1
16	9.090.223	SWITCH PANEL COVER . Label ,	1